

INSTRUCTION MANUAL

POWER LINE SUPER MULTI-METER

SQLC-110L

[3 ϕ 4W ANALOG OUTPUT]

[HARDWARE MODEL B [Green backlight]
HARDWARE MODEL E [White backlight]]



Introduction

Thank you for your purchase of our product.

Read this instruction manual carefully before installation, wiring, and using this product.

Keep this instruction manual handy for reference at any time.

Have a contact with us or sales agent in case that this instruction manual is lost or damaged.

<Caution>

Have a contact with us when you have any questions or are aware of missing article.

Safety precaution

Important contents are mentioned in this instruction manual to prevent any damage/use this product appropriately.

Keep the following safety precaution in mind after understanding each sign.



DANGER

Improper use may lead to death or severe injury.



WARNING

Improper use may possibly lead to death or severe injury.



ATTENTION

Improper use may lead to medium injury.

- We are not responsible for the damage caused by following condition (earthquake/fire which is not caused by us, action by third party, other accident, damage caused by our customer, misuse, product usage under abnormal condition).
- We are not responsible for secondary damage caused by product use/product malfunction (loss of profit, halt of business operation). We are also not responsible for damage caused by false operation in combination with connecting equipment which is beyond our control.



DANGER

- Do not disassemble, remodel and repair this product.
Have a contact with us or sales agent when product failure happens to prevent fire/electric shock/injury.
- Do not get this product wet to prevent heat generation/ignition/product failure. When this product gets wet, stop using it.
- Do not connect metal excepting wiring to terminal in order to prevent heat generation/ignition.
- Do not get this product near the inflammables/combustible chemicals/gas to prevent fire.



WARNING

- Connect specified power supply.
Connecting power supply beyond specification causes fire/product failure.
- When dust is on the terminal, wipe it off after power is OFF to prevent fire.
- Follow the below-mentioned procedure when abnormality(fuming/bad odor) happens.
 - (1) Stop using after power and input are OFF.
 - (2) Have a contact with us or sales agent.



ATTENTION

- Do not use this product in a environment of high temperature/high humidity to prevent any damage.
- Do not touch the terminal during operation to prevent electric shock.
- Do not pull/bend connecting cable with force. Cable damage causes heat generation/burn and contact failure leads to equipment damage.
- Do not connect/inspect with wet hands to prevent electric shock.

Cautions on safety



Cautions on safe use

1. Working and storage environments

Don't mount or store this unit in the following environments. If the unit becomes defective due to the use in an environment other than specified, it may be repaired for pay even during its warranty period (one year after the date of delivery).

- ① Don't mount or store the unit at a place where the ambient temperature is other than a range of $-10\sim+55^{\circ}\text{C}$ or the relative humidity is higher than 85% RH.
- ② Don't mount or store the unit at a place where a corrosive gas such as SO_2 , H_2S , etc. is generated.
Corrosive gas = Sulfur dioxide SO_2 / Hydrogen sulfide H_2S / etc.
Large current bus / saturable reactor / etc.
- ③ Don't mount or store the unit at a dusty place.
- ④ Don't mount or store the unit at a place subjected to noticeable vibrations or shocks.
- ⑤ Don't mount or store the unit at a place subjected to noticeable external noises.
- ⑥ If this unit directly measures an inverter output of cycle control, SCR phase angle control or PWM, an error may increase due to its operation principle.

2. Cautions on use in an outdoor panel

Be careful with the following items when using this unit in an outdoor panel.

- ① Don't mount the unit at a place where it is directly exposed to rain or water drops, otherwise this unit may become defective because of no water-proof or drip-proof structure.
- ② Don't mount the unit at a dusty place.
- ③ Don't mount the unit at a place exposed to direct sunlight. Avoid exposing the unit to direct sunlight even through a glass window.
If the meter is directly exposed to sunlight, the surface temperature of the meter rises and the case may be deformed if the temperature exceeds 80°C .
- ④ If the average temperature around the meter exceeds 40°C , the life of the unit may shorten.

3. About dew condensation

If the temperature and humidity of an installation change rapidly when a product is a non-energization, the waterdrop by dew condensation may adhere to a display inner side. (The display filter and the LCD surface stick and the pattern of the shape of a circle or an ellipse occur.) This phenomenon is not trouble. It will disappear, if a control power supply is applied and about 2 hour passes.

4. Mounting and wiring

Mount and connect the unit by a technician while referring to the instruction manual and observing the following cautions.

 CAUTION	<ul style="list-style-type: none"> ● Connect the unit after confirming the connection diagram. An improper connection may cause troubles such as the generation of a high voltage on the secondary side of its current transformer or burning of the unit or the occurrence of a fire. ● Don't perform any connection in a hot line without turning off the power supply in advance, otherwise an electric shock accident, troubles or burning of the unit, a fire, gas explosion, or other very dangerous accidents may occur. ● The terminal cover is mounted for preventing an electric shock accident. Mount the terminal cover without fail after the end of work.
-------------	--

5. Setting

This unit requires setting and confirmation of the measuring range, etc. before use. Wrong setting, if any, causes malfunction of the unit. If setting should be wrong, neither measurement nor output becomes correct. Carefully read the instruction manual before setting the unit.

■ Default setting values

It is the following initial value at the case of shipment. Please set according to a using condition. About a setting value designation product, it ships with the designated set value.

① Voltage, current input (1/2)

No.	Setting item		3 ϕ 4W		
			110/ $\sqrt{3}$ V input	220/ $\sqrt{3}$ V input	
1	Display combination	Pattern	Pattern 1		
		Main monitor	A(Y)		
		Sub monitor (Left)	V(RY)		
		Sub monitor (Center)	W		
		Sub monitor (Right)	Wh		
		Bar graph	A(Y)		
2	Alarm 1	Factor	DA		
		Reset form	AUTO		
		Contact delay time	0 second		
		Test	—		
	Alarm 2	Factor	DA		
		Reset form	AUTO		
		Contact delay time	0 second		
		Test	—		
3	Demand current	Upper limit value	1200A		
		Interval	0 second		
	Demand active power	Upper limit value	OFF		
		Interval	0 second		
		Operation form	Operating system according with bimetallic type.		
		Power-factor operation form	Instant measurement		
4	Current	Distortion-factor upper limit	OFF		
		5th conversion content rate upper limit	OFF		
		n-th content rate	Factor	5th	
			Upper limit	OFF	
	Voltage	Distortion-factor upper limit	OFF		
		5th conversion content rate upper limit	OFF		
		n-th content rate	Factor	5th	
			Upper limit	OFF	
	5th conversion detection characteristics		Inverse-time-delay mode		
	Average value time limit		0 minute		
5	Instant measurement detection	Voltage upper limit value	OFF		
		Voltage lower limit value	OFF		
6	Backlight	Action	AUTO		
		Brightness ⁽²⁾	3 (Middle)		
7	Measurement range	Voltage range	440V	220V	
		Current range	1500A		
		Current display peculiar sensitivity	1500A		
		Active power polarity	One-side swing		
		Active power (apparent power) range	1200kW (1200kVA)	600kW (600kVA)	
		Reactive power range	600kvar	300.0kvar	
		Power-factor range	LEAD0.5~1~LAG0.5		
		Frequency range	45~65Hz		
8	Analog output ⁽¹⁾	Output factor 1	A(Y)		
		Output factor 2	V(RY)		
		Output factor 3	W		
		Output factor 4	cos ϕ		
		Output peculiar sensitivity	Current	100.0%	
			Active power (Apparent power)	100.0%	
			Reactive power	50.0%	
		Low input cut		OFF	
9	Pulse output ⁽¹⁾	Output 1	Factor	Wh	
			Pulse unit	10kWh/p	1kWh/p
		Output 2	Factor	Wh	
			Pulse unit	10kWh/p	1kWh/p

Note⁽¹⁾ A setting item is not displayed in case there is no corresponding option.

Note⁽²⁾ In the case of green backlight, it does not indicate the setting item of brightness.

① Voltage, current input (2/2)

No.	Setting item		3 ϕ 4W	
			110/ $\sqrt{3}$ V input	220/ $\sqrt{3}$ V input
10	External operation input ⁽³⁾	Input 1 function	Alarm reset	
		Input 2 function	Max./Min. reset	
11	Measurement display ON/OFF	Voltage	ON	
		Current	ON	
		Active power	ON	
		Reactive power	ON	
		Power-factor	ON	
		Frequency	ON	
		Watt-hour of power receiving	ON	
		Watt-hour of power transmission	ON	
		var-hour of power receiving	ON	
		var-hour of power transmission	ON	
		Harmonic current	ON	
		Harmonic voltage	ON	
Apparent power	ON			
12	Input circuit	Input circuit change	3 ϕ 4W (3VT, 3CT)	
		Input voltage ⁽⁵⁾	110V	220V
13	Measurement	Dead band	0.0%	
		Tidal current measurement	General measurement	
14	Analog output specification ⁽³⁾ ⁽⁴⁾		1~5V	
15	Analog output adjustment ⁽³⁾	Output 1	Bias adjustment	0.0%
			Span adjustment	100.0%
		Output 2	Bias adjustment	0.0%
			Span adjustment	100.0%
		Output 3	Bias adjustment	0.0%
			Span adjustment	100.0%
		Output 4	Bias adjustment	0.0%
			Span adjustment	100.0%

Note⁽³⁾ A setting item is not displayed in case there is no corresponding option.

Note⁽⁴⁾ A setting item is not displayed if analog output is except DC0~5V (or DC1~5V) specification.

Note⁽⁵⁾ If an input-voltage setting is changed, a voltage range will return to initial value.

(110/ $\sqrt{3}$ V setting: 440V, 220/ $\sqrt{3}$ V setting: 220V)

Rated voltage is the setting item of the product of 110/ $\sqrt{3}$ V, 220/ $\sqrt{3}$ V sharing.

② Current input

No.	Setting item		3 ϕ 4W	
1	Display combination	Pattern	Pattern 15	
		Main monitor	A(Y)	
		Sub monitor (Left)	A(R)	
		Sub monitor (Center)	A(B)	
		Sub monitor (Right)	A(W)	
		Bar graph	A(Y)	
2	Alarm 1	Factor	DA	
		Reset form	AUTO	
		Contact delay time	0 second	
		Test	—	
	Alarm 2	Factor	DA	
		Reset form	AUTO	
		Contact delay time	0 second	
		Test	—	
3	Demand detection	Demand current	Upper limit value Interval	
			1200A 0 second	
4	Harmonic detection	Current	Distortion-factor upper limit	OFF
			5th conversion content rate upper limit	OFF
			n-th content rate	Factor Upper limit
		5th conversion detection characteristics		Inverse-time-delay mode
		Average value time limit		0 minute
		5	Backlight	Action
Brightness (°)	3 (Middle)			
6	Measurement range	Current range	1500A	
		Current display peculiar sensitivity	1500A	
7	Analog output (°)	Output factor 1	A(Y)	
		Output factor 2	A(R)	
		Output factor 3	A(B)	
		Output factor 4	A(W)	
		Output peculiar sensitivity	Current	100.0%
		Low input cut		OFF
8	External operation input (°)	Input 1 function	Alarm reset	
		Input 2 function	Max./Min. reset	
9	Measurement display ON/OFF	Current	ON	
		Harmonic current	ON	
10	Input circuit	Dead band	0.0%	
11	Analog output specification (°) (7)		1~5V	
12	Analog output adjustment (°)	Output 1	Bias adjustment	0.0%
			Span adjustment	100.0%
		Output 2	Bias adjustment	0.0%
			Span adjustment	100.0%
		Output 3	Bias adjustment	0.0%
			Span adjustment	100.0%
		Output 4	Bias adjustment	0.0%
			Span adjustment	100.0%

Note(°) A setting item is not displayed in case there is no corresponding option.
The external operation input constitutes initial value with an alarm-output option.
It becomes the next function in case there is no alarm-output option.
Input 1 function: Max. / Min. reset, Input 2 function: Measurement factor change.

Note(7) A setting item is not displayed if analog output is except DC0~5V (or DC1~5V) specification.

Note(8) In the case of green backlight, it does not indicate the setting item of brightness.

③ Voltage input

No.	Setting item		3 ϕ 4W	
			110/ $\sqrt{3}$ V input	220/ $\sqrt{3}$ V input
1	Display combination	Pattern	Pattern 16	
		Main monitor	V(RY)	
		Sub monitor (Left)	V(YB)	
		Sub monitor (Center)	V(BR)	
		Sub monitor (Right)	Hz	
		Bar graph	V(RY)	
2	Alarm output (⁹)	Alarm 1	Factor	V
			Reset form	AUTO
			Contact delay time	0 second
			Test	—
		Alarm 2	Factor	V
			Reset form	AUTO
			Contact delay time	0 second
			Test	—
3	Harmonic detection	Voltage	Distortion-factor upper limit	OFF
			5th conversion content rate upper limit	OFF
			n-th content rate	Factor Upper limit
		5th conversion detection characteristics	Inverse-time-delay mode	
		Average value time limit	0 minute	
4	Instant measurement detection	Voltage upper limit value	OFF	
		Voltage lower limit value	OFF	
5	Backlight	Action	AUTO	
		Brightness (¹²)	3 (Middle)	
6	Measurement range	Voltage range	440V	220V
		Frequency range	45~65Hz	
7	Analog output (⁹)	Output factor 1	V(RY)	
		Output factor 2	V(YB)	
		Output factor 3	V(BR)	
		Output factor 4	Hz	
		Low input cut	OFF	
8	External operation input (⁹)	Input 1 function	Alarm reset	
		Input 2 function	Max./Min. reset	
9	Measurement display ON/OFF	Voltage	ON	
		Frequency	ON	
		Harmonic voltage	ON	
10	Input circuit	Input circuit change	3 ϕ 4W (3VT)	
		Input voltage (¹¹)	110V	220V
11	Measurement	Dead band	0.0%	
12	Analog output specification (⁹)(¹⁰)		1~5V	
13	Analog output adjustment (⁹)	Output 1	Bias adjustment	0.0%
			Span adjustment	100.0%
		Output 2	Bias adjustment	0.0%
			Span adjustment	100.0%
		Output 3	Bias adjustment	0.0%
			Span adjustment	100.0%
		Output 4	Bias adjustment	0.0%
			Span adjustment	100.0%

Note(⁹) A setting item is not displayed in case there is no corresponding option.
The external operation input constitutes initial value with an alarm-output option.
It becomes the next function in case there is no alarm-output option.

Input 1 function: Max. / Min. reset, Input 2 function: Measurement factor change.

Note(¹⁰) A setting item is not displayed if analog output is except DC0~5V (or DC1~5V) specification.

Note(¹¹) If an input-voltage setting is changed, a voltage range will return to initial value.

(110/ $\sqrt{3}$ V setting: 440V, 220/ $\sqrt{3}$ V setting: 220V)

Rated voltage is the setting item of the product of 110/ $\sqrt{3}$ V, 220/ $\sqrt{3}$ V sharing.

Note(¹²) In the case of green backlight, it does not indicate the setting item of brightness.


6. Operation

Be careful with the following cautions during use.

- Use the input within the rated range. Be careful since negligence of this caution may cause troubles of the unit.
- There is a function to hold the maximum value and the minimum value with a measurement factor in this product. A blackout is guaranteed and this value isn't also cleared by a power supply reset. However, the minimum value may be updated in case input is not applied to a power up. For this reason, in order to make the past minimum value hold by powering on, please apply input within 1 second after switching on a power supply.

- The maximum value, a minimum value measurement factor

Measurement factor	Maximum value measurement	Minimum value measurement
Voltage, Current, Demand current, Active power, Demand active power, Reactive power, Apparent power, Power factor, Frequency	○	○
Harmonic (Distortion factor , Effective value , Content)	○	×

 CAUTION	<ul style="list-style-type: none"> ● Be careful not to touch any terminal when power is applied to the unit. ● Don't disassemble or modify this unit without any previous permission of our company, otherwise the warranty does not apply to the unit any more. Also, modifications may cause troubles, a fire, or other accidents. For specifications change, etc., please contact us.
--	--

7. Maintenance and check

- ① Wipe off the surface of the unit with a dry soft cloth. The liquid crystal display (LCD) may light during cleaning on the LCD face. However, this phenomenon is caused by the static electricity that may be produced in the filter, and it does not show any trouble. Leave the unit as it is for a while, and the display goes out due to natural discharge. Don't press the LCD face strongly, otherwise it may be broken. When the filter has been pressed, it may touch the LCD face to stain the LCD face. However, this phenomenon does not show any trouble, but it is caused by a change of the ambient environment or the like. The LCD face may be restored to its original condition after a while during the use as it is.
- ② Check the following items.
 - ◎ Check the unit for damage in appearance.
 - ◎ Check if indications conform to the inputs.
 - ◎ Check if the unit is mounted normally without any loose connections of the terminal board after turning off the power supply.

If a question has arisen or if the unit seems to be defective, please contact us.

8. Other precautions

- Wipe off dirt on the surface with dry cloth softly. Keep in mind that strong rubbing of nameplate leads to character disappearance. Organic solvent is not appropriate for cleaning.
- Neither mercury parts nor the nickel-cadmium battery is being used for this product.
- This product is disposed as an industrial waste (non-inflammable).

9. Warranty

- Warranty period
It is for one year after product delivery.
- Warranty scope
In the state of the normal use of product-specification within the range according to this instruction manual, the trouble within the warranty period performs exchange or repair gratuitously. However, the shipping expenses and the packing cost in the case of shipping obtain as payment on a customer. And, if it corresponds to the next, it does not warrant.
 - (1) If it breaks down when converted or repaired except our company.
 - (2) If it breaks down by use outside the specification range.
 - (3) If the cause of trouble is based on cause other than this product.
 - (4) Transportation, movement, damage by falling, and trouble.
 - (5) A natural disaster, disaster, etc., if it is the trouble which is irresponsible for a payment side (our company or distributing agent).

Only a product simplex is applied with a warranty. We cannot bear the responsibility such as the damage and the loss that occurred by the use of this product and trouble or the loss of profits. And, a warranty is effective only in Japan.

Content

1. Product outline	9
1.1 Usage of product	9
1.2 Features of product	9
2. The name and function of each part	10
3. Preparation	
3.1 Installation	11
3.2 Connections	12
4. Operation	13
4.1 The screen change and function by switch operation	14
4.2 The kind of display	15
4.2.1 Measurement display	15
4.2.2 Alarm detection display	18
4.2.3 Setting display	20
4.3 Operation	21
4.3.1 The main monitor display-element change	21
4.3.2 Phase (line) display change	21
4.3.3 Harmonic measurement display change	22
4.3.4 Watt-hour enlarged display	22
4.3.5 Setting value check	23
4.3.6 Setting mode	24
4.3.7 Reset	25
5. Setting	
5.1 Function table	28
5.2 Setting table	33
5.3 Setting in detail explanation	41
5.3.1 Setting mode 1	41
5.3.2 Setting mode 2	50
5.3.3 Setting mode 3	57
6. Specification	
6.1 Specification and intrinsic error	61
6.2 Specification, Performance	65
6.3 Option	67
6.4 CE marking	69
7. Maintenance and check	
7.1 Trouble shooting	70
7.2 Check	70
7.3 Maintenance	70
7.4 Test	71
7.5 Storage	71
7.6 Countermeasures against troubles	71

Appendix table 1

1. Product outline

1.1 Usage of product

This single unit can measure and monitor maximum demand-current $\times 4$, demand-current $\times 4$, voltage $\times 6$, current $\times 4$, maximum demand active power, demand active power, active-power, reactive-power, apparent power, power-factor, frequency, watt-hour, var-hour, harmonic(voltage, current).

From a low tension circuit to a high tension circuit, it is adapted for various usages, such as a measurement monitor of a power-receiving circuit, an energy conservation power monitor, a demand current measurement monitor, and a harmonic monitor, a leakage monitor.

The intensive monitor united with the system is made in an addendum of analog output and a pulse output.

1.2 Features of product

- High-performance products which collected the function of the power line multi-meter (QLC-110L, DLC-110L, HLC-110L) of our company.
- An input circuit can be selected by setting from 2VT, 3CT and 3VT, 3CT.
- Bar graph 1 measurement and digital 4 measurement are displayed simultaneously.
- Analog output 4 circuit and contact-output 2 circuit can be taken out. (Option)
A contact output can be selected from a pulse output, an alarm output, and a CPU error output. (Please designate it at an order.) And, An output factor can be selected by setting.
- Two external operation inputs are possible. (Option) And, selection of reset input and a display change input is possible at setting.
- Power supply is AC85~264V, DC80~143V (for both AC and DC uses).
- The mounting method of this unit is compatible with the mounting method of conventional 110 square mechanical meter. This unit is mounted at 2 diagonal points.
- Integrated value of Wh and varh can indicate expansion to 3rd digit below the decimal point.
- Analog output is with a lower limit limiter.
- A tidal current measurement (output 2 quadrant) change is possible for var and $\cos\phi$.
- A backlight function is equipped. Selection of backlight-on, backlight-off, and auto backlight-off and setting of brightness (only white backlight) are possible. Automatic turning off the lights at the time of non-operation can be established. LED: Green or White (appoints by order).
- LCD can be chosen from 2 kinds, the type to see from the top and the type to see from the bottom. (Please designate it at an order.)

2. The name and function of each part

Bar graph display

The measurement value of the main monitor is indicated by the analog. (Setting which does bar graph display of the measurement value of sub-monitor is also possible.)

Digital display

Measurement monitor can watch 4 elements at the same time.

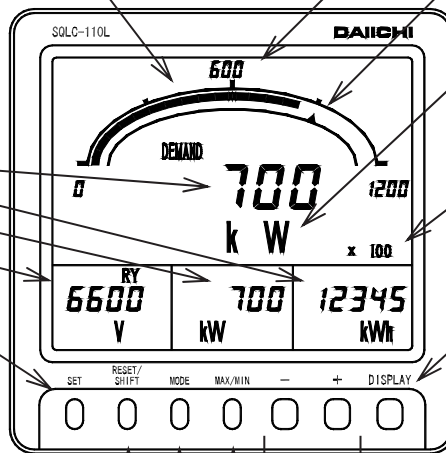
- Main monitor
- Sub monitor (Right)
- Sub monitor (Center)
- Sub monitor (Left)

SET

The switch from which integrated value of the amount of electric power is switched to normal display (5 digits of integer) and expansion indication (integer 2 digits + below decimal point, 3 digits) variously. If it is not operated for 10 minutes after a display change, it will usually return to a display. It is used also as a switch which changes to setting mode. If it continues pushing 3 seconds or more, it will change to setting mode. In setting mode, it is used as a switch that determines a set point.

RESET/SHIFT

It is the switch that resets various alarms. And, in the maximum and the minimum measurement display, it is used as a switch that resets the maximum and the minimum value. In setting mode, it is used as a switch to which a setting item is shifted.



Scale markings

It sets automatically by measurement-range setting.

Upper limit (or lower limit) setting index
An upper limit (or lower limit) set point is displayed.

Unit display

It sets automatically by measurement-range setting.

Multiplying factor display

It displays on the lower right of the main monitor at the time of electric energy and a reactive energy display.

DISPLAY

It is the switch that changes a phase (line) display of current (voltage). If it is not operated for 10 minutes after a display change, it returns to the original phase (line) display. In setting mode, it is used as a switch that terminates setting mode.



The switch to which measurement displays element of main monitor is changed. If it is not operated for 10 minutes after a display change, it returns to the original measurement display factor. In set mode, it is used as a switch that changes a setting value.

MAX/MIN

The switch to which general measurement display (usually) and the maximum minimum measurement display are changed.

MODE

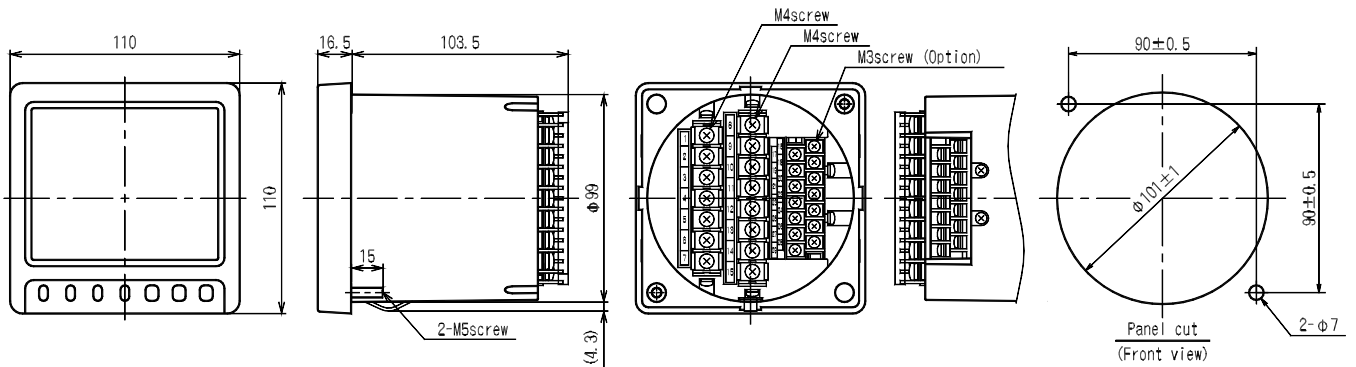
The switch to which general measurement display (usually) and the harmonic measurement (voltage and current) display are changed. In set mode, it is used as a switch that changes a setting item.

3. Preparation

3.1 Installation

Mount the unit by the attached M5 nuts to a panel of thinner than 10mm, referring to the following external dimensions drawing and panel cutout. Fasten these nuts with tightening torque 2.75~3.82N·m.

● Dimension diagram

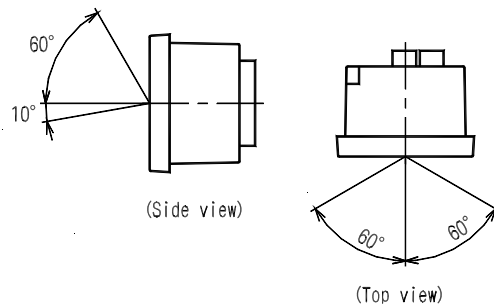
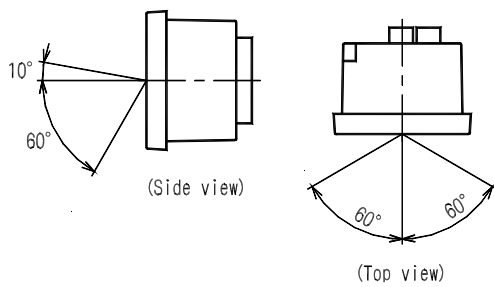


● Caution on handling

Mount the LCD to obtain an optimum angle, since the contrast changes according to the monitoring angle.

(1) For upper case installation

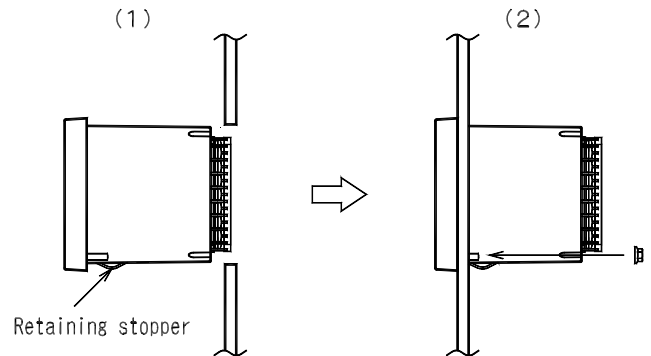
(2) For lower case installation



● Installation

(1) A product is put in a cut hole of a panel from a front. A body is inserted until it exceeds retaining stopper of the lower base.

(2) Please fix a product certainly with attached M5 flange nut for installation. Please give a tightening torque as 2.75~3.82N·m.

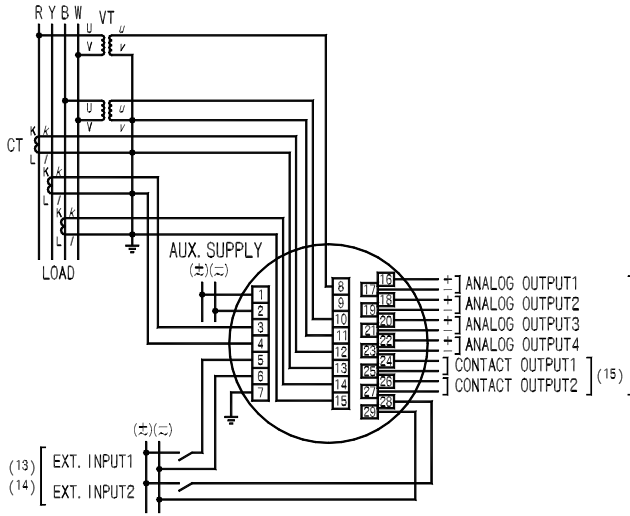


3.2 Connections

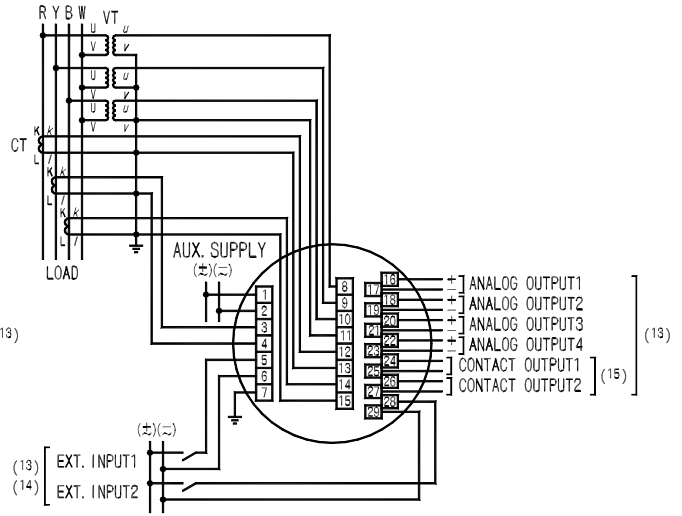
Please perform connection after referring to the following wiring diagram.

● Connection drawing ⁽¹⁶⁾

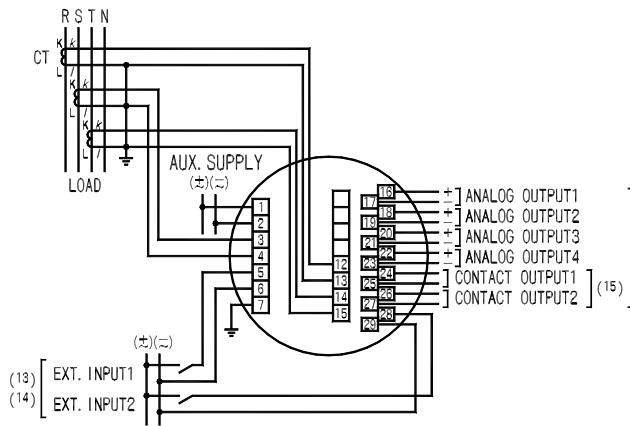
(1) Voltage, Current input (2VT, 3CT)



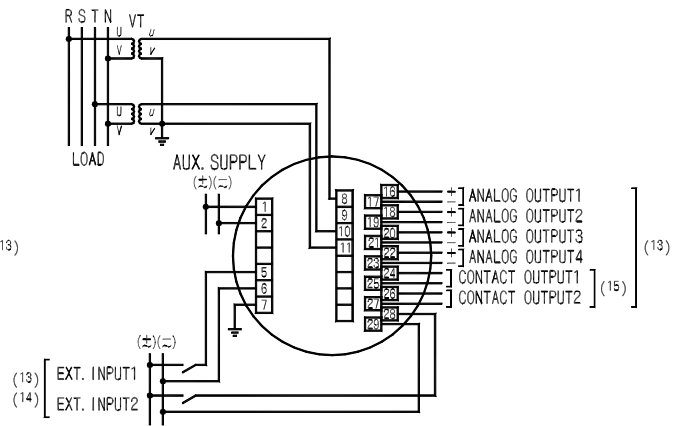
(2) Voltage, Current input (3VT, 3CT)



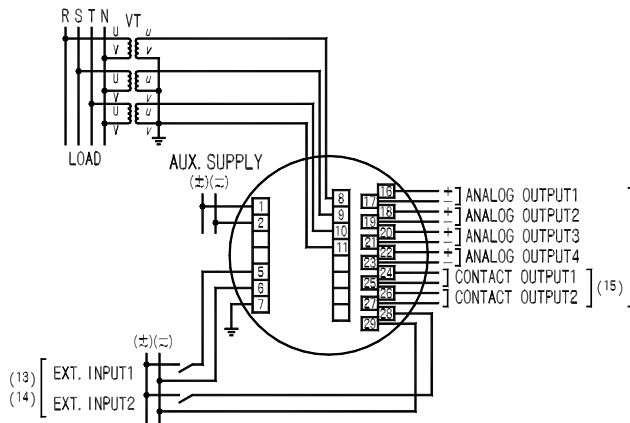
(3) Current input



(4) Voltage input (2VT)



(5) Voltage input (3VT)



Note⁽¹³⁾ Analog output, contact output, external operation input is an option.

Note⁽¹⁴⁾ An external operation input can be changed to an external-reset function or an external display change function by setting.

Note⁽¹⁵⁾ The contact output can be selected from pulse output, alarm output, or CPU error output. (Designation) - Combination of contact output

	Contact output 1	Contact output 2
Pulse+Alarm	Pulse output	Alarm output
Alarm×2	Alarm output 1	Alarm output 2
Pulse×2	Pulse output 1	Pulse output 2
Pulse+CPU error	Pulse output	CPU error output
Alarm+CPU error	Alarm output	CPU error output

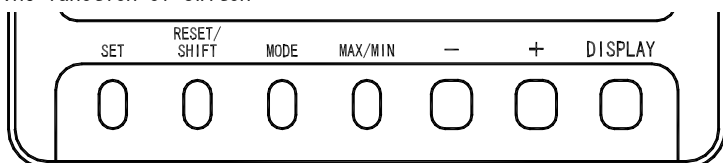
Note⁽¹⁶⁾ In case of low-voltage circuit, secondary side earthing of VT and CT is unnecessary. And, VT is unnecessary in case it used 110V or direct 220V.

● Caution on connection

- (1) Mount the terminal cover without fail for safety after the end of connections.
- (2) Separate the input wiring and output wiring from each other without fail, and take a preventive measure against malfunction due to external noises.
- (3) Connect the grounding terminal E (No. 7 terminal) to the ground without fail for enhancing the shield effect. Keep the grounding resistance between the grounding terminal and the ground to be lower than 100Ω.
- (4) Keep a distance of more than 30cm between this unit and the circuit breaker as well as between this unit and the relay contact signal line.
- (5) No protection is necessary for this unit even if the transmission line may be affected by an induced lightning surge or the like when transmitting an analog output to the receiver. Mount an about 500V arrester or the like between the line surge protector and the ground as well as between the transmission line and the ground on the receiver side for the purpose of protecting the devices on the receiver side.
- (6) It is recommended to mount a surge killer outside when connecting an inductive load to the pulse output and alarm output. If no surge killer is mounted, the contact life may shorten.

4. Operation

● The function of switch



Switch	Function
SET	The integrated value of electric energy is changed to the usual display and an enlarged display. If it continues pushing 3 seconds or more, it will change to setting mode. In setting mode, it is used for the determination of a set point.
RESET/SHIFT	Various kinds of alarms are reset. The maximum value and the minimum value are reset in the maximum minimum measurement display. In setting mode, it is used for movement of a setting item.
MODE	The usual general measurement display and harmonic measurement (voltage, current) display are changed. In setting mode, it is used for the change of a setting item.
MAX/MIN	The usual measurement display and maximum value or minimum value display are changed.
+ , -	The measurement display element of the main monitor is changed. In setting mode, it is used for change of a set point.
DISPLAY	A phase (between lines) display of current (voltage) is changed. It is used in case it terminates setting mode. And, it is used in case it returns the display combination of a measurement factor.

● Convenient functions

- (1) In case a measurement change or a phase change is performed and the original screen composition is not clear anymore, **DISPLAY** is pushed for more than 3 seconds or it's no-operation for 10 minutes and returns to original screen structure.
- (2) Even if it stops operation with setting mode, it returns to the display mode in 10 minutes.

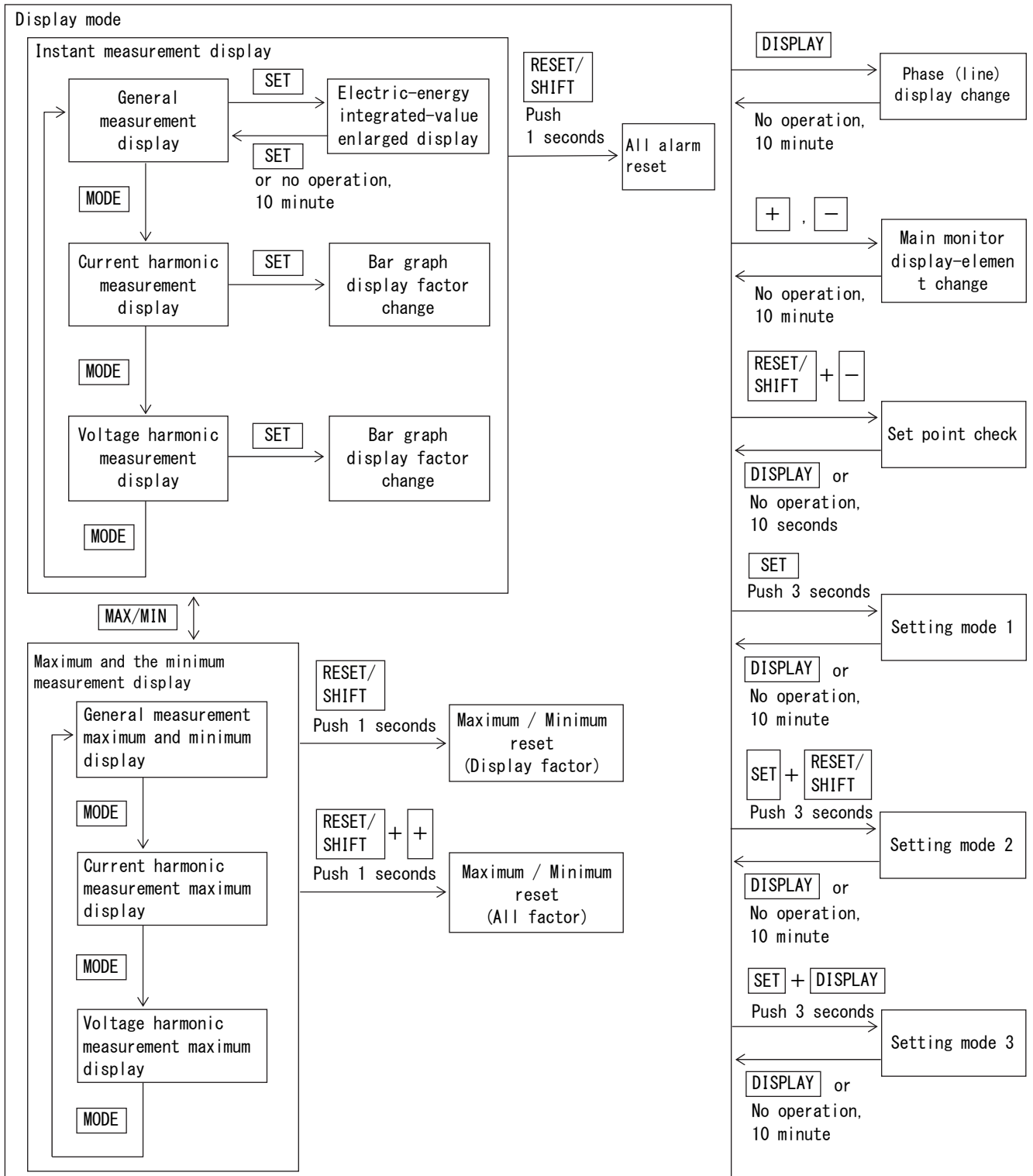
● 7 segment displays

This product shows the guidance in various setting using 7 segment displays besides a display of a measurement value. A digital readout and 7 segment displays corresponding to each alphabet are shown in the following.

A	B(b)	C	D(d)	E	F	G	H	I	J	K	L	M
A	b	C	d	E	F	G	H	I	Non-disp lay	Non-disp lay	L	M
N(n)	O(o)	P	Q(q)	R(r)	S	T(t)	U(u)	V	W	X	Y(y)	Z
n	o	P	q	r	S	t	u	U	W	Non-disp lay	Y	Non-disp lay
0	1	2	3	4	5	6	7	8	9			
0	1	2	3	4	5	6	7	8	9			

4.1 The screen change and function by switch operation

This product changes various screens by switch operation. Here, the change step of the screen by switch operation is explained.



4.2 The kind of display

4.2.1 Measurement display

A measurement value display has the three following types of displays.

The change of the measurement display element of the main monitor by switch operation and the change of the phase / line display of current / voltage is possible (temporarily).

In a general measurement display, if switch operation is not performed for 10 minutes after changing a display element, it returns to the original measurement display element automatically.

① General measurement display

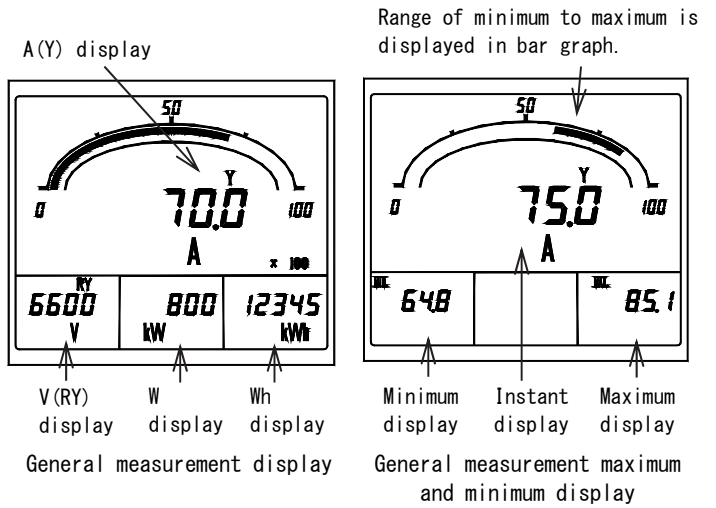
Measurement factors, such as current, voltage, and active power, are displayed.

The measurement value of four factors is displayed at the maximum.

Setting which always displays a measurement factor is possible. And, it is possible to change to a display of the maximum value and the minimum value, about the measurement factor which performs holding of the maximum value and the minimum value by switch operation.

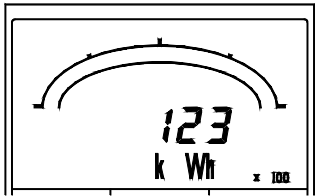
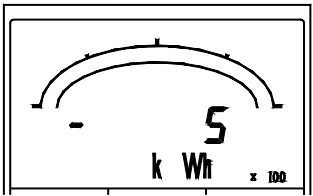
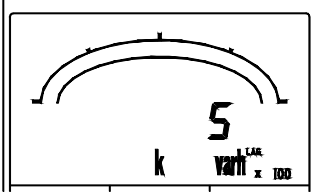
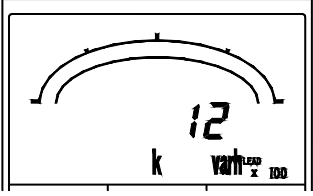
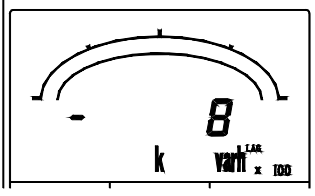
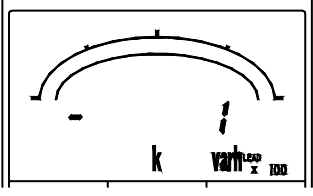
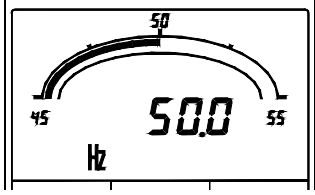
These maximum values and the minimum value are reset by switch operation (it updates to the instantaneous value at the time).

In addition, as for the maximum value and the minimum value, power-supply reset is not cleared either. And, this display is held by even after 10 minutes of switch non-operation.



• The example of a measurement display of each measurement factor (Main monitor) ... Harmonic measurement is excluded.

Measurement factor	Example of display	Note	Measurement factor	Example of display	Note
Voltage			Current		
Demand current		"DEMAND" is display	Active power		
Demand active power		"DEMAND" is display	Reactive power		LAG or LEAD display
Apparent power			Power factor		LAG or LEAD display

Measurement factor	Example of display	Note	Measurement factor	Example of display	Note
Watt-hour (Power receiving)			Watt-hour (Power transmission)		"-" is display
var-hour (Power receiving, LAG)		"LAG" display	var-hour (Power receiving, LEAD)		"LEAD" display
var-hour (Power transmission, LAG)		"LAG" and "-" display	var-hour (Power transmission, LEAD)		"LEAD" and "-" display
Frequency					

② Current harmonic measurement display

It is a measurement factor display of the distortion factor of current, relative harmonic content, harmonic effective value, etc. The measurement value of three factors is displayed at the maximum.

About sub-monitor (center) and sub-monitor (right), it is possible to change to the factor that always indicates by measurement. And, it is possible to change to a display of the maximum value by switch operation.

These maximum values can be reset by switch operation (it updates to the instantaneous value at the time).

In addition, as for the maximum value, even power-supply reset is not cleared. And, a display is held, even after elapsing for 10 minutes without operating a switch.

Measurement display element)

Main monitor : Distortion factor

Sub monitor (Left) : 5th conversion or harmonic order (n)

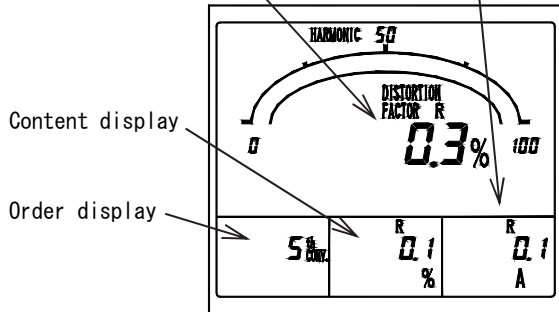
Sub monitor (Center) : Harmonic 5th conversion content or harmonic nth content (n=3, 4, 5, 7, 9, 11, 13, 15)

Sub monitor (Right) : Fundamental-wave effective value, 5th harmonic conversion effective value or harmonic nth effective value (n=3, 4, 5, 7, 9, 11, 13, 15)

③ Voltage harmonic measurement display

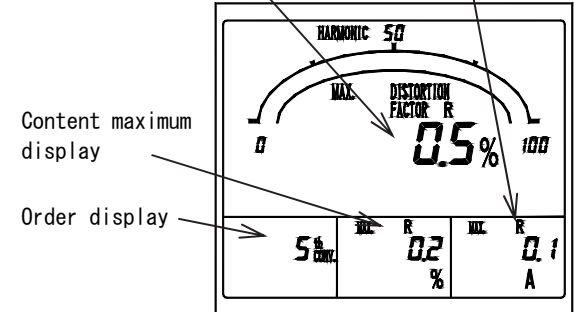
It is a measurement factor display of the distortion factor of voltage, relative harmonic content, harmonic effective value, etc. About a function, it is the same as a current harmonic measurement display.

Distortion-factor display Effective-value display



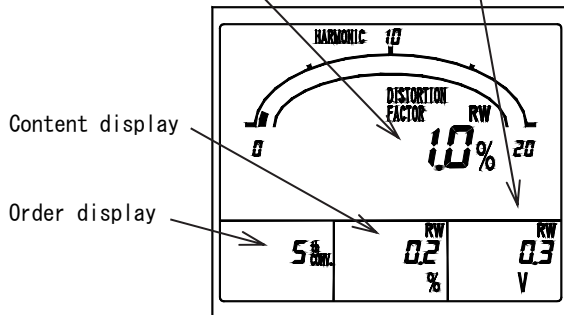
Current harmonic measurement display.

Distortion-factor maximum display Effective-value maximum display



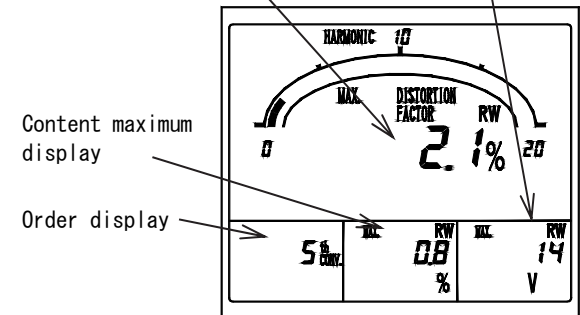
Current harmonic measurement maximum display.

Distortion-factor display Effective-value display



Voltage harmonic measurement display.

Distortion-factor maximum display Effective-value maximum display



Voltage harmonic measurement maximum display.

4.2.2 Alarm detection display

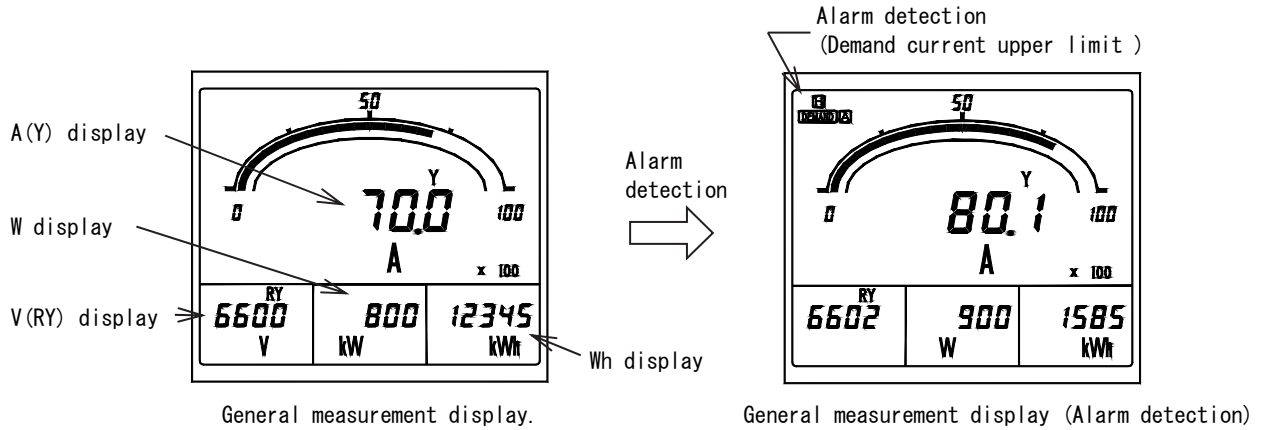
The alarm value setting is a possible measurement factor (demand current and harmonic, etc.), it displays in case an input exceeds a set point.

Besides the usual measurement display, the detected factor is displayed on a screen upper case.

In addition, in case setting OFF (not use) as measurement factor, it does not detect.

And in the case of with an alarm-output option, it is possible to do an alarm output (relay make contact) to the outside simultaneously with a screen display.

Alarm display possible factor) Demand current, Demand, Harmonic distortion factor (current, voltage), Harmonic 5th conversion content (current, voltage), Harmonic nth content (current, voltage n=3, 4, 5, 7, 9, 11, 13, 15), Voltage



The example of a display at the case of the detection in each alarm factor.

In case the alarm factor is indicating by measurement at the main monitor or the submonitor, a measurement value constitutes a blinking display.

The displays after an alarm return.

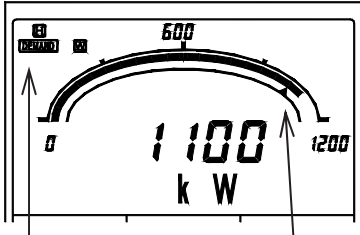
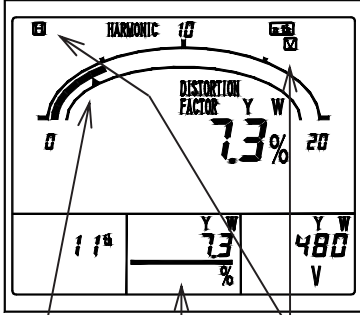
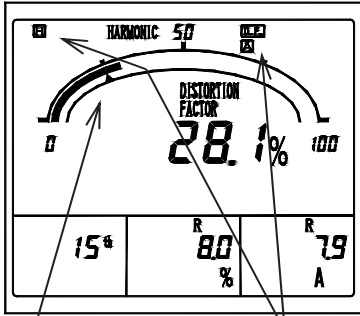
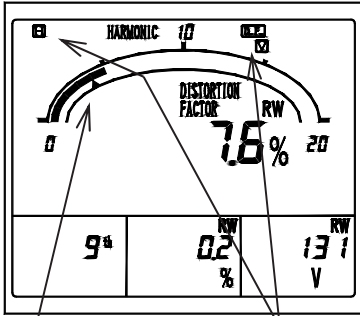
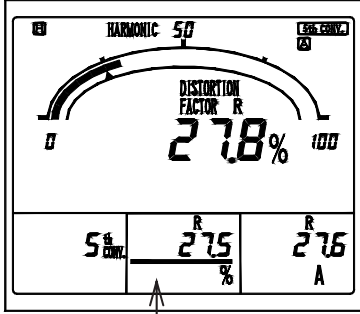
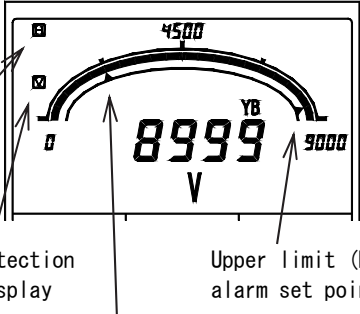
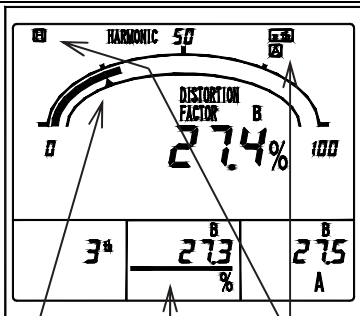
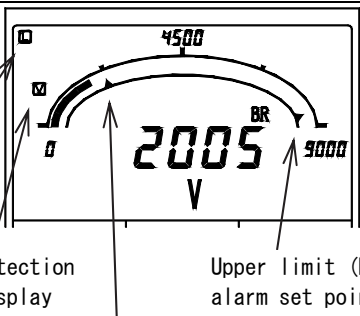
In case a return method is automatic reset setting : It returns to the usual measurement display.

In case a return method is manual reset setting

: A detection display and an alarm output hold (in case setting as an alarm output of applicable factor).

The return in this case needs alarm reset operation. Please refer to "4.3.7 Reset" about alarm reset.

Alarm factor		Example of a display	Alarm factor		Example of a display
Demand current	Upper limit (H)		Voltage harmonic 5th conversion content	Upper limit (H)	
		Detection display			Detection display
		Alarm setting value			Setting as 5th conversion content of bar graph (It distinguishes in an underbar)

Alarm factor		Example of a display	Alarm factor	Example of a display
Demand	Upper limit (H)	 <p>Detection display Alarm setting value</p>	Voltage harmonic nth content	 <p>Alarm setting Value Detection display Setting as 11th content of bar graph (It distinguishes in an underbar)</p>
Current distortion factor	Upper limit (H)	 <p>Alarm setting value Detection display</p>	Voltage distortion factor	 <p>Alarm setting Value Detection display</p>
Current harmonic 5th conversion content	Upper limit (H)	 <p>Setting as 5th conversion content of bar graph (It distinguishes in an underbar)</p>	Voltage	 <p>Detection Display Upper limit (H) alarm set point Lower limit (L) alarm set point</p>
Current harmonic nth content	Upper limit (H)	 <p>Alarm setting value Detection display Setting as 3th content of bar graph (It distinguishes in an underbar)</p>	Voltage	 <p>Detection Display Upper limit (H) alarm set point Lower limit (L) alarm set point</p>

4.2.3 Setting display

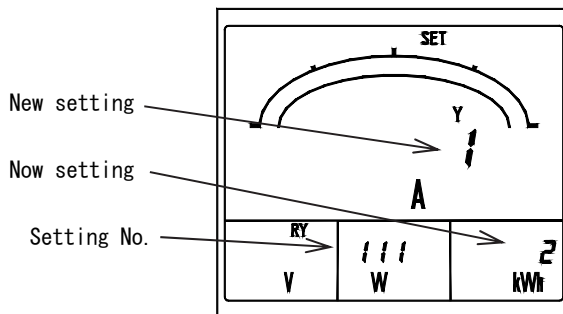
It is the display at the case of various setting. There are three types of setting modes according to the contents of a setting.

Refer to "5. Setting" for the operation in setting mode, and the detailed contents of a setting.

① Setting mode 1

Setting of a measurement display element, an alarm output, and an alarm value is mainly performed.

And, an alarm output can be tested in this setting mode.

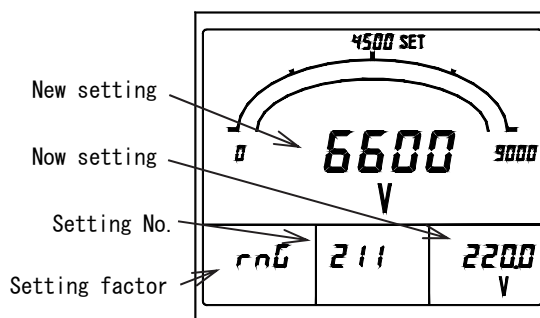


Setting mode 1 (No. 111 Display pattern)

② Setting mode 2

Setting of measurement range, analog output, pulse output, and measurement display ON/OFF is mainly performed.

And, initialization of a setting value and reset of watt-hour integrated value can be performed in this setting mode.

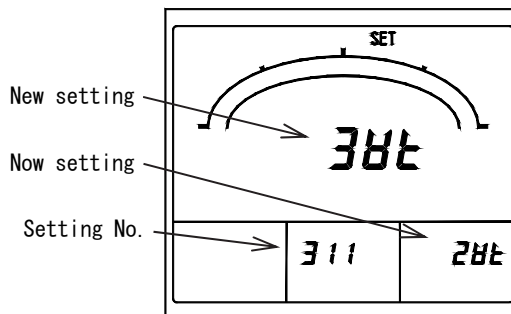


Setting mode 2 (No. 211 Voltage range)

③ Setting mode 3

Setting of an input circuit and tidal current measurement is mainly performed.

And, analog output can be adjusted in this setting mode.



Setting mode 3
(No. 311 Input circuit change)

4.3 Operation

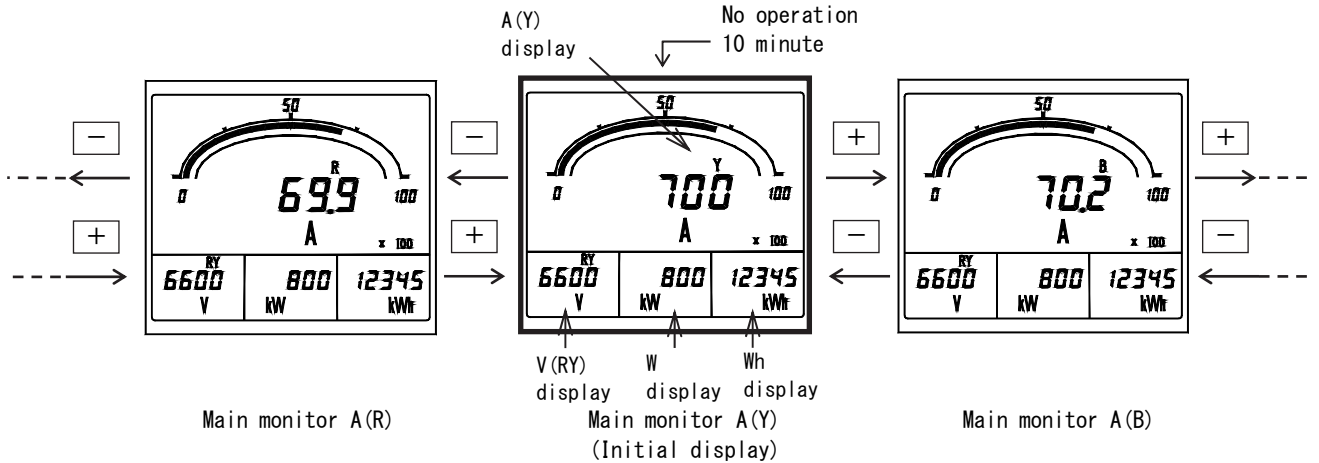
4.3.1 The main monitor display-element change

The measurement display element of the main monitor is changed. A change is performed by $\boxed{+}$ $\boxed{-}$. This operation can be performed also except a general measurement display (harmonic measurement display, maximum display and minimum display). However, in a harmonic measurement display, a sub-monitor changes with a harmonic order. (The main monitor is distortion-factor fixation.)

After changing a measurement display element, if a switch is not operated for 10 minutes, it will return to the original measurement display element automatically.

In a harmonic measurement display and maximum display and minimum display, even if a switch is not operated for 10 minutes, it does not return to the original display.

Setting can perform same operation in external operation input. Please refer to "5.3.2 Setting mode 2, (4) external operation input setting" about the setting method. Please refer to "6.3 Option specification" about external operation input.



4.3.2 Phase (line) display change

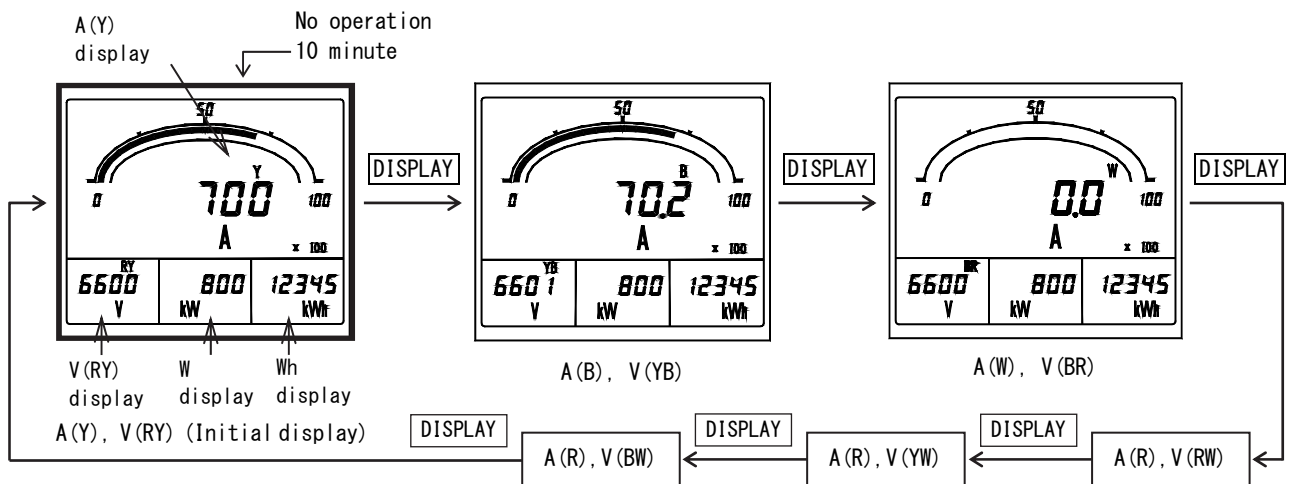
A phase (line) display of current or voltage is changed. (Everything which is being indicated)

A change is performed by $\boxed{\text{DISPLAY}}$. This operation can be performed also except a general measurement display (harmonic measurement display, maximum display and minimum display).

In addition, after changing a phase (line) display, if a switch is not operated for 10 minutes, it will return to the original phase (line) display automatically.

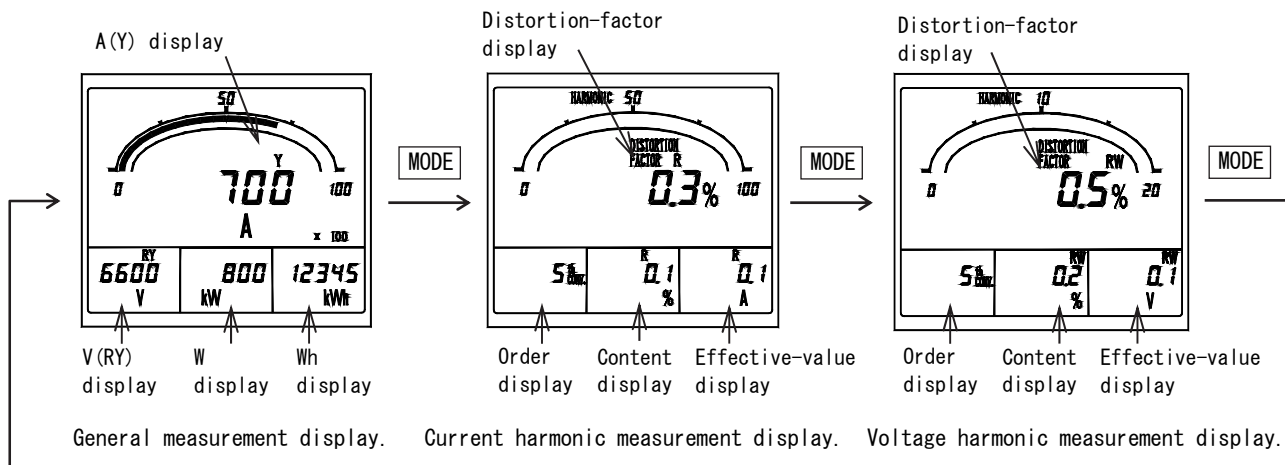
In a harmonic measurement display and maximum display and minimum display, even if a switch is not operated for 10 minutes, it does not return to the original display.

Setting can perform same operation in external operation input. Please refer to "5.3.2 Setting mode 2, (4) external operation input setting" about the setting method. Please refer to "6.3 Option specification" about external operation input.



4.3.3 Harmonic measurement display change

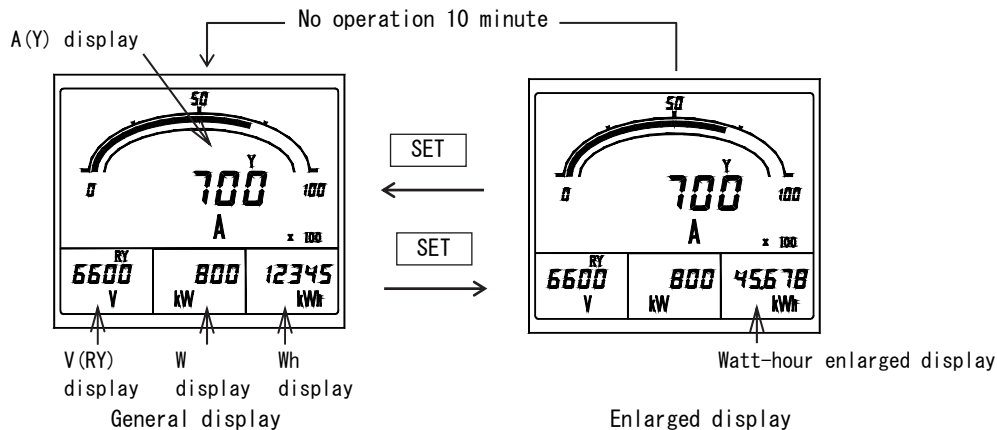
A general measurement display and a harmonic measurement display are changed. A change is performed by **MODE**. Whenever it pushes a switch, it changes as follows. General measurement display → Current harmonic measurement display → Voltage harmonic measurement display → General measurement display ... This operation can also perform the maximum display and minimum display. In that case, it changes in order of a next. General measurement maximum and the minimum display → Current harmonic measurement maximum display → Voltage harmonic measurement maximum display → General measurement maximum and the minimum display ... In addition, about this operation, even if it does not do switch operation for 10 minutes, it does not return to the original display.



4.3.4 Watt-hour enlarged display

In case electric energy is being displayed by the general measurement display, an electric-energy display is usually changed to a display (5 digits of integers), and an enlarged display (2 digits integer + below decimal point, 3 digits). A change is performed by **SET**. After an enlarged display, if a switch is not operated for 10 minutes, it returns to the usual display automatically.

<Caution > If it continues pushing **SET** 3 seconds or more, it will become the setting mode 1. (An electric-energy display does not change)



4.3.5 Setting value check

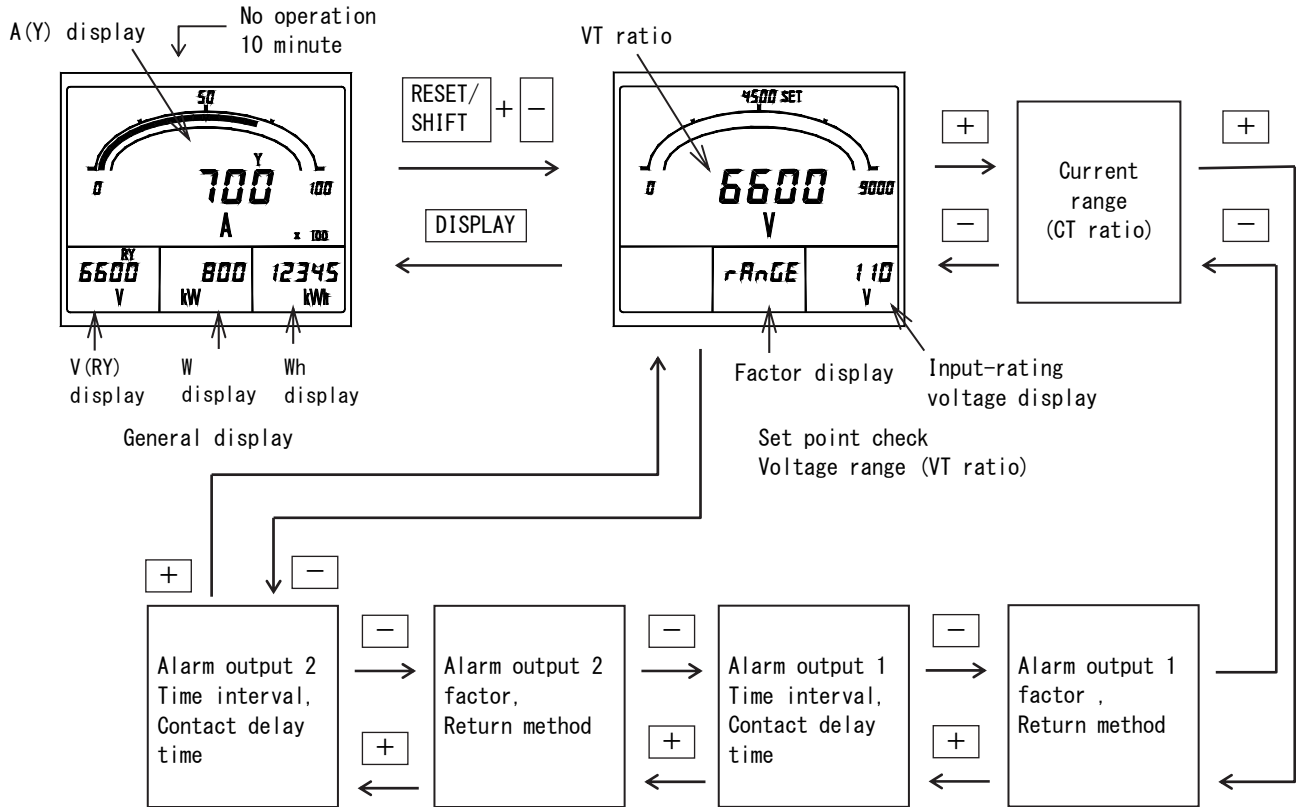
A voltage range (VT ratio), a current range (CT ratio), and an alarm-output set point are checked.

Check is **RESET/SHIFT** and **-** are pushed simultaneously and performed.

The change of a set point is carried out by **+** and **-**.

This operation can be performed also except a general measurement display (harmonic measurement display, maximum display and minimum display). **DISPLAY** is pushed in case it returns to the original measurement display.

And, if a switch is not operated for 10 seconds after a set point check, it will return to the original measurement display automatically.



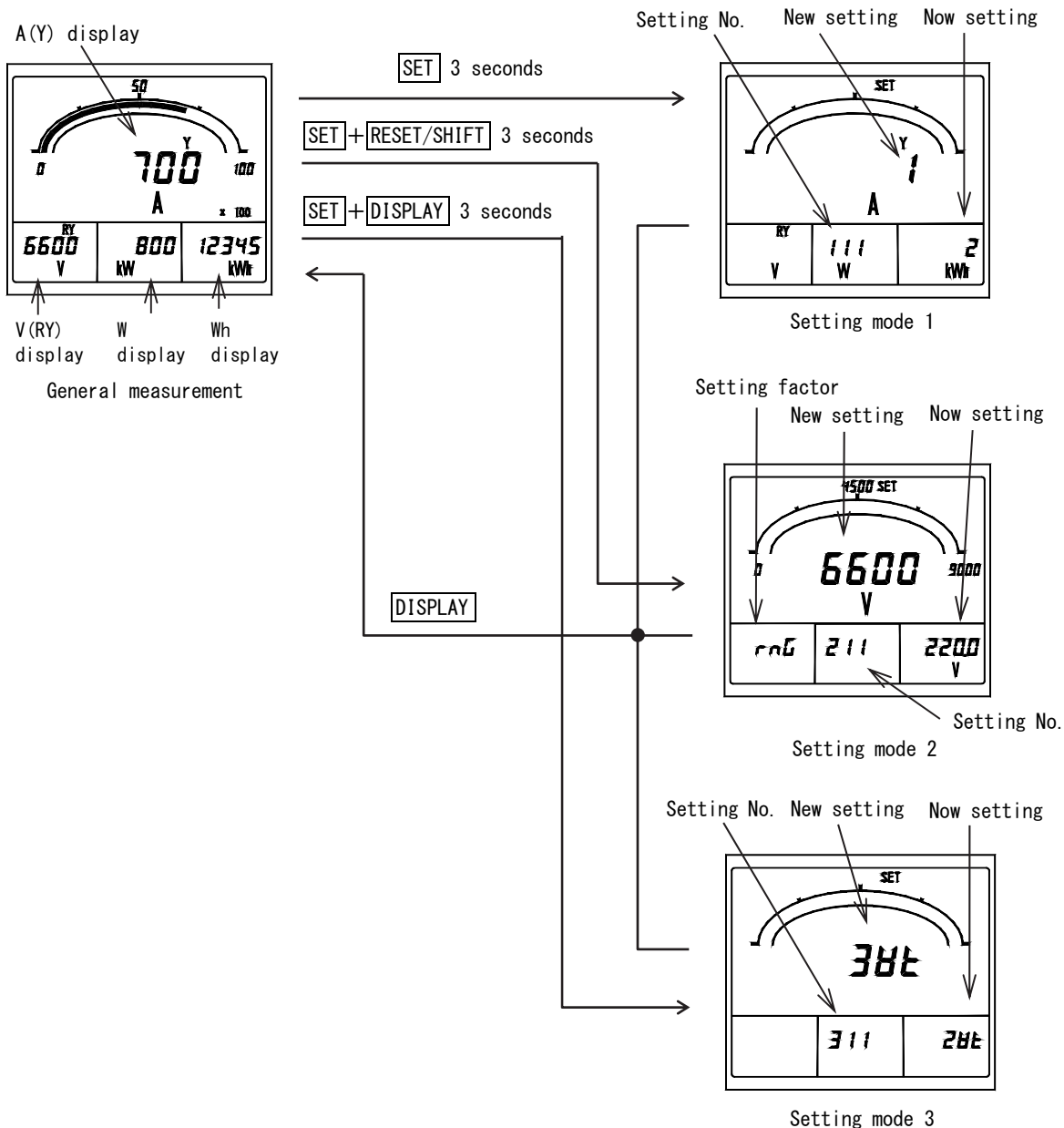
4.3.6 Setting mode

Various kinds of setting are performed. Setting mode is three types, and operations are different.

DISPLAY is pushed in case it returns to the original measurement display. And, if a switch is not operated for 10 minute after a set point check, it will return to the original measurement display automatically. Operation and the contents of setting (detail) in setting mode, please refer to "5 Setting".

- Setting mode 1 : Press **SET** for longer than 3 seconds.
- Setting mode 2 : Press **SET** and **RESET/SHIFT** together for longer than 3 seconds.
- Setting mode 3 : Press **SET** and **DISPLAY** together for longer than 3 seconds.

<Reference> This operation can be performed also except a general measurement display (harmonic measurement display, maximum display and minimum display).



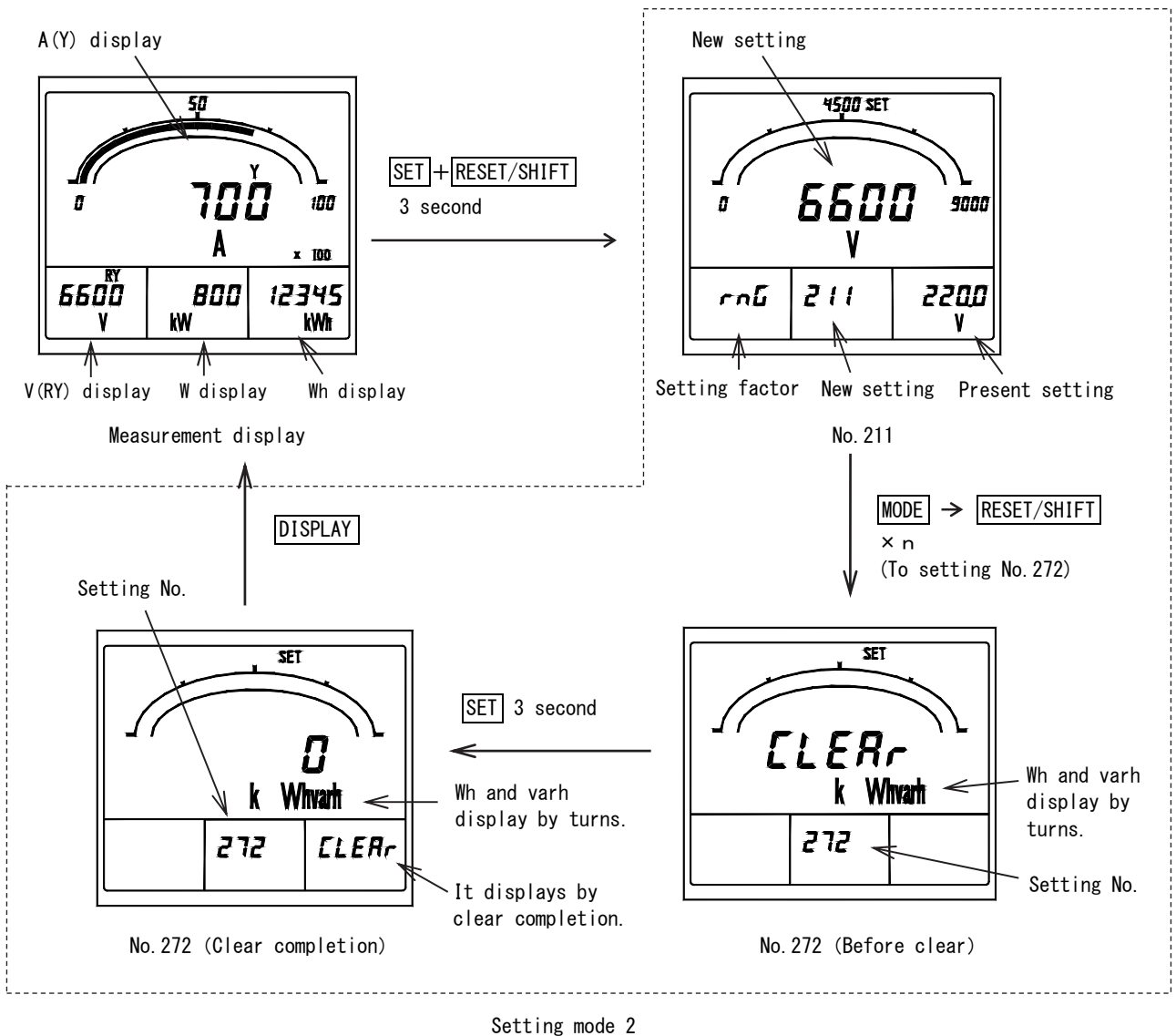
4.3.7 Reset

Various kinds of reset are performed. The kind of reset is as follows and operations are different, respectively.
 Reset of watt-hour integrated value (zero clear),
 Reset of maximum value and minimum value (it updates to the instantaneous value at the time),
 Alarm-output reset (OFF of an alarm output (at the case of manual reset setting)).
 And, the operation from each measurement display constitutes conditions at each reset.

(1) Watt-hour integrated-value reset

It resets by package about the integrated value of various watt-hour. Watt-hour reset is performed in the setting mode 2. In detail explanation in the setting mode 2, please refer to "5.3.2 Setting mode 2".

- ① Press **SET** and **RESET/SHIFT** together for longer than 3 seconds. It goes into the setting mode 2.
- ② **MODE** is pushed until setting is set to No.271. Further **RESET/SHIFT** is pushed once and it is made a watt-hour-reset display.
- ③ Press **SET** for longer than 3 seconds.
- ④ **DISPLAY** is pushed and it returns to a measurement display.



(2) Reset of maximum value and minimum value

Reset of the various measurement values of maximum value and minimum value is performed.

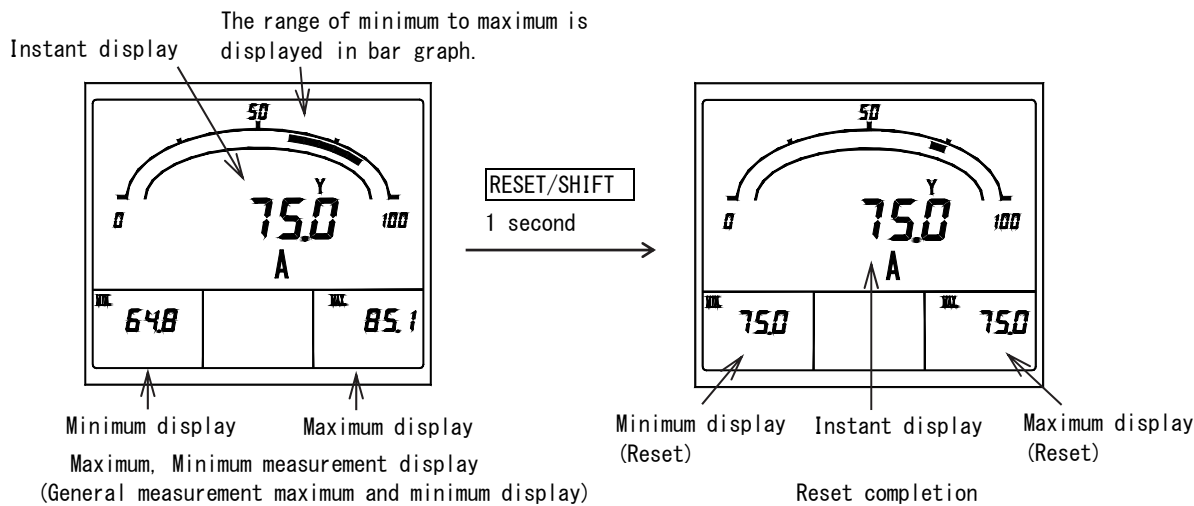
This reset has two types of methods. (How to perform according to a measurement factor individual. How to reset all maximum values and minimum values by package.)

a) Individual reset

Reset of only a certain differential maximum value or the minimum value is performed. Other maximum values and minimum values are not reset by this operation.

- ① A measurement factor to reset is displayed. (General measurement maximum value, minimum value, or Current, voltage harmonic measurement maximum display)
- ② Press **RESET/SHIFT** for longer than 1 seconds.

<Caution> An alarm output will be reset if this operation is performed by instant measurement display. Please be sure to perform this operation after displaying the maximum value and a minimum value measurement factor to make it reset.



b) Package reset

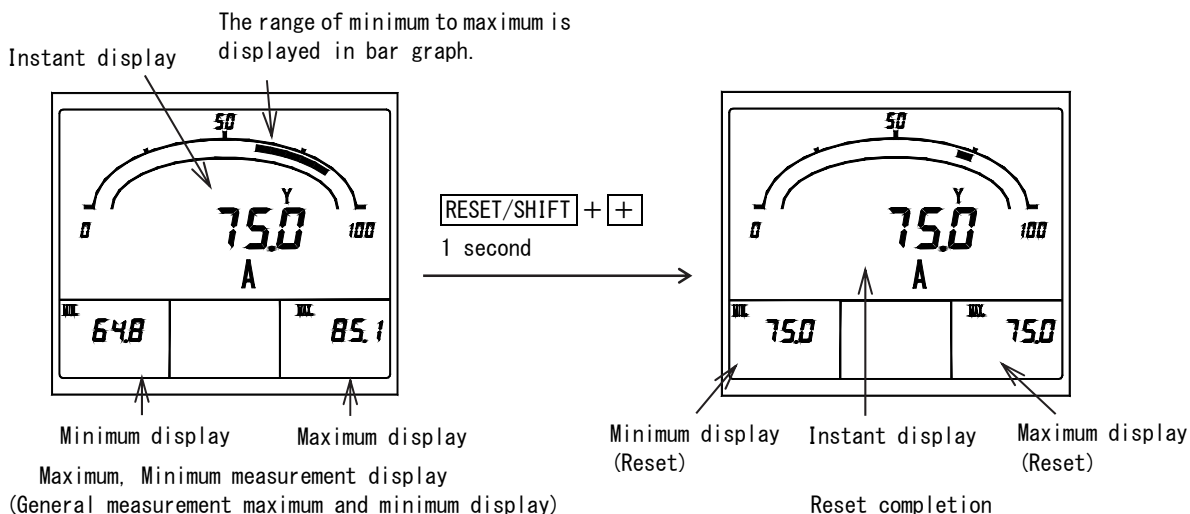
Reset of all the maximum values and minimum value is performed.

In addition, setting can perform same operation in external operation input.

Please refer to "5.3.2 Setting mode 2 (4) external operation input setting" for the setting method.

Please refer to "6.3 Option" for the external operation input.

- ① Press **RESET/SHIFT** and **+** together for longer than 1 seconds. By the maximum and the minimum measurement display (The general measurement maximum and minimum display or current, voltage harmonic measurement maximum display).



<Caution> In the general measurement maximum and minimum value reset, all the factors of general measurement are reset by package. (The harmonic measurement maximum value is not reset.) By harmonic measurement maximum value reset, a current factor and a voltage factor are reset by package. (The general measurement maximum value and the minimum value are not reset.)

(3) Alarm reset

In case an alarm return method is set to "HOLD (manual return)", an alarm output is reset (output OFF).
 (With an alarm-output option)

However, an output is not turned off by this operation, in case an alarm continues and it has caused.
 And, this operation is unnecessary in case setting as "AUTO (automatic return)" in alarm return method. (By which an output is also OFF according to an alarm return.)

In case the number of alarm outputs is two, both outputs are reset (output OFF) by this operation. (Return operation that comes out individually cannot be performed.)

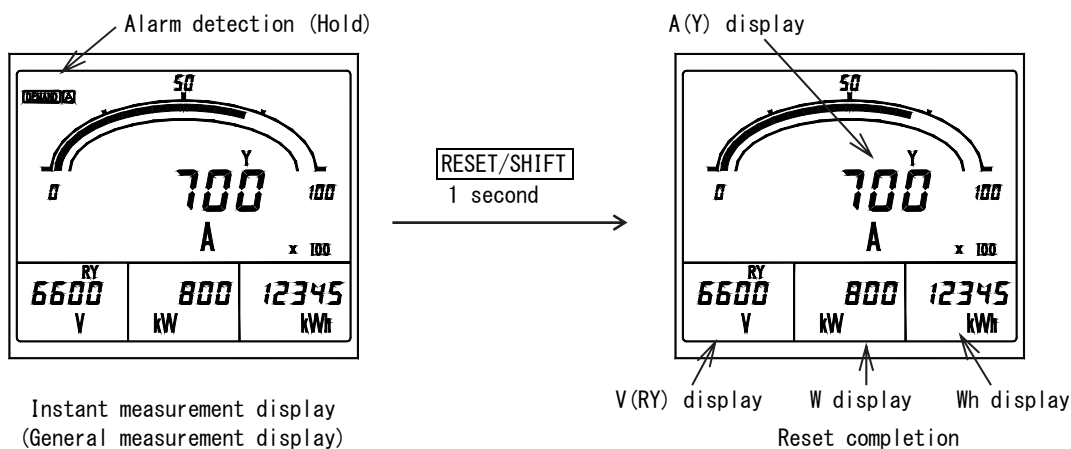
In addition, setting can perform same operation in external operation input.

Please refer to "5.3.2 Setting mode 2 (4) external operation input setting" for the setting method,

Please refer to "6.3 Option" for the external operation input,

- ① By instant measurement display (a general measurement display or current, voltage harmonic measurement display), **RESET/SHIFT** is pushed 1 second or more.

<Caution> If this operation is performed by the maximum and the minimum measurement display, the maximum value and minimum value of the measurement factor currently displayed will be reset.
 Please be sure to perform this operation in the state of an instant measurement display.



5. Setting

5.1 Function table

This product has each function setting with a front switch.

Setting mode 1. Function table (1)

Set No.	Function	Functional description	Current input	Voltage input	Initial set value (Voltage, current input)	Important setting	Page
111	Display pattern	Set the display combination pattern of the digital 4 displays and bar graph display.	○	○	Pattern 1	○	42~44
112	Main monitor	Set the display factor of digital main monitor.	○	○	A(Y)	○	42~44
113	sub monitor (left)	Set the display factor of digital sub monitor (left).	○	○	V(RY)	○	42~44
114	sub monitor (center)	Set the display factor of digital sub monitor (center).	○	○	W	○	42~44
115	sub monitor (right)	Set the display factor of digital sub monitor (right).	○	○	Wh	○	42~44
116	Bar graph	Set the display factor of bar graph.	○	○	A(Y)	○	42~44
121AL ⁽¹⁷⁾	Alarm 1 factor	Set the output factor of alarm 1.	○	○	DA	○	45
122AL ⁽¹⁷⁾	Alarm 1 return method	Set the output action at the case of reset of alarm 1.	○	○	Automatic reset		45
123AL ⁽¹⁷⁾	Alarm 1 mask time (Contact delay time)	Set the contact delay time of alarm 1.	○	○	0 second		45
124AL ⁽¹⁷⁾	Alarm 1 test	Output test of alarm 1 is performed.	○	○	—		45
125AL ⁽¹⁷⁾	Alarm 2 factor	Set the output factor of alarm 2.	○	○	DA	○	45
126AL ⁽¹⁷⁾	Alarm 2 return method	Set the output action at the case of reset of alarm 2.	○	○	Automatic reset		45
127AL ⁽¹⁷⁾	Alarm 2 mask time (Contact delay time)	Set the contact delay time of alarm 2.	○	○	0 second		45
128AL ⁽¹⁷⁾	Alarm 2 test	Output test of alarm 2 is performed.	○	○	—		45
131H	Demand current upper limit	Set the high-alarm value of demand current.	○		80% (Full scale=100%)		46
132	Demand current time interval	Set time interval of demand current.	○		0 second	○	46
133H	Demand active power upper limit	Set the high-alarm value of demand active power.			OFF (No operation)		46
134	Demand active power time interval	Set the time interval of demand active power.			0 second	○	46
135	Demand active power operating method	Set the operating method of demand active power.			Operating system according with bimetallic type.	○	46
136	Power-factor operating method	Set the operating method of power-factor measurement.			Instant measurement		46, 47

Note⁽¹⁷⁾ A setting item is not displayed in case there is no corresponding option.

Setting mode 1. Function table (2)

Set No.	Function	Functional description	Current input	Voltage input	Initial set value (Voltage, current input)	Important setting	Page
141H	Current distortion-factor upper limit	Set the high-alarm value of current distortion factor.	○		OFF (No operation)		47, 48
142H	Current 5th conversion content upper limit	Set the high-alarm value of current 5th conversion content.	○		OFF (No operation)		47, 48
143	Current n-th content factor	Set the order of n-th current content.	○		5th		47, 48
144H	Current n-th content upper limit	Set the high-alarm value of current n-th content.	○		OFF (No operation)		47, 48
145H	Voltage distortion-factor upper limit	Set this high-alarm value of voltage distortion factor.		○	OFF (No operation)		47, 48
146H	Voltage 5th conversion content upper limit	Set the high-alarm value of voltage 5th conversion content.		○	OFF (No operation)		47, 48
147	Voltage n-th content factor	Set the order of n-th voltage content.		○	5th		47, 48
148H	Voltage n-th content upper limit	Set the high-alarm value of voltage n-th content.		○	OFF (No operation)		47, 48
149	5th conversion detection characteristics	Set the detection characteristic of 5th conversion content.	○	○	Inverse-time-delay mode		47, 48
14A	Average value time interval	Set the average value detection time interval of harmonic.	○	○	0 minute		47, 48
151H	Instant measurement voltage upper limit	Set the high-alarm value of instant voltage.		○	OFF (No operation)		48
152L	Instant measurement voltage lower limit	Set the low-alarm value of instant voltage.		○	OFF (No operation)		48
171	Backlight action	Set the ON/OFF of backlight.	○	○	AUTO OFF		49
172 (¹⁸)	Backlight brightness	Set the brightness of backlight.	○	○	3 (Middle)		49

Note⁽¹⁸⁾ In the case of green backlight, it does not indicate the setting item of brightness.

Setting mode 2. Function table (1)

Set No.	Function	Functional description	Current input	Voltage input	Initial set value (Voltage, current input)	Important setting	Page
211	Voltage range	Set the voltage-measurement range (VT ratio).		○	440V ⁽²⁰⁾	○	50~52
212	Current range	Set the current-measurement range (CT ratio).	○		1500A	○	50~52
213	Current display peculiar sensitivity	Set the full scale of current meter.	○		1500A		50~52
214	Active power polarity	Set the swing display of active power meter.			One-side swing		50~52
215	Active power (apparent power) range	Set the full scale of active power meter (apparent power meter).			1200kW (1200kVA) ⁽²¹⁾		50~52
216	Reactive power range	Set the full scale of reactive power meter.			600kvar ⁽²¹⁾		50~52
217	Power-factor range	Set the full scale of power-factor meter. And, set this output range of analog output.			0.5~1~0.5		50~52
218	Frequency range	Set the full scale of frequency meter. And, set this output range of analog output.		○	45~65Hz		50~52
221A ⁽¹⁹⁾	A01 output factor	Set the output factor of A01 (analog output 1).	○	○	A (Y)	○	53, 54
222A ⁽¹⁹⁾	A02 output factor	Set the output factor of A02 (analog output 2).	○	○	V (RY)	○	53, 54
223A ⁽¹⁹⁾	A03 output factor	Set the output factor of A03 (analog output 3).	○	○	W	○	53, 54
224A ⁽¹⁹⁾	A04 output factor	Set the output factor of A04 (analog output 4).	○	○	cos ϕ	○	53, 54
225A ⁽¹⁹⁾	Current output peculiar sensitivity	Set the analog output sensitivity (% of output for input) of current.	○		100.0%		53, 54
226A ⁽¹⁹⁾	Active power-output peculiar sensitivity	Set the analog output sensitivity (% of output for input) of active power (apparent power).			100.0%		53, 54
227A ⁽¹⁹⁾	Reactive power output peculiar sensitivity	Set the analog output sensitivity (% of output for input) of reactive power.			50.0%		53, 54
228A ⁽¹⁹⁾	Low input cut	Set the function which makes a lower limit the output at the case of a minute input (adequate to 0.5% or less) in analog output.	○	○	OFF (No operation)		53, 54
241P ⁽¹⁹⁾	P01 factor	Set the output factor of P01 (pulse output 1).			Wh	○	54
242P ⁽¹⁹⁾ ⁽²²⁾	P01 pulse unit	Set the output pulse unit of P01 (pulse output 1).			10kWh/p		54
243P ⁽¹⁹⁾	P02 factor	Set the output factor of P02 (pulse output 2).			Wh	○	54
244P ⁽¹⁹⁾ ⁽²²⁾	P02 pulse unit	Set the output pulse unit of P02 (pulse output 2).			10kWh/p		54
251 ⁽¹⁹⁾	External operation input 1 function	Set the function of the external operation input 1.	○	○	Alarm reset	○	55
252 ⁽¹⁹⁾	External operation input 2 function	Set the function of the external operation input 2.	○	○	Maximum / Minimum reset	○	55

Note⁽¹⁹⁾ A setting item is not displayed in case there is no corresponding option.

Note⁽²⁰⁾ It is set to "220V" in 220/ $\sqrt{3}$ V input.

Note⁽²¹⁾ It is set to "600kW" and "600VA" and "300kvar" in 220/ $\sqrt{3}$ V input.

Note⁽²²⁾ It is set to "1kWh/p" in 220V input.

Setting mode 2. Function table (2)

Set No.	Function	Functional description	Current input	Voltage input	Initial set value (Voltage, current input)	Important setting	Page
261	Voltage ON/OFF	Set the ON/OFF of voltage measurement display.		○	ON		56
262	Current ON/OFF	Set the ON/OFF of current measurement display.	○		ON		56
263	Active power ON/OFF	Set the ON/OFF of active power measurement display.			ON		56
264	Reactive power ON/OFF	Set the ON/OFF of reactive power measurement display.			ON		56
265	Power-factor ON/OFF	Set the ON/OFF of power-factor measurement display.			ON		56
266	Frequency ON/OFF	Set the ON/OFF of frequency measurement display.		○	ON		56
267	Power-receiving watt-hour ON/OFF	Set the ON/OFF of power-receiving watt-hour measurement display.			ON		56
268	Power transmission var-hour ON/OFF	Set the ON/OFF of power transmission var-hour measurement display.			ON		56
269	Power-receiving var-hour (LAG, LEAD) ON/OFF	Set the ON/OFF of power-receiving var-hour (LAG, LEAD) measurement display.			ON		56
26A	Power transmission var-hour (LAG, LEAD) ON/OFF	Set the ON/OFF of power transmission var-hour (LAG, LEAD) measurement display.			ON		56
26B	Harmonic current ON/OFF	Set the ON/OFF of harmonic current measurement display.	○		ON		56
26C	Harmonic voltage ON/OFF	Set the ON/OFF of harmonic voltage measurement display.		○	ON		56
26D	Apparent power ON/OFF	Set the ON/OFF of apparent power measurement display.			ON		56
271	Set value initialization	All set values are initialized. (Return to initial set value)	○	○	—		56
272	Watt-hour reset	Integrated value is cleared by package about each electric energy.			—		56

Setting mode 3. Function table

Set No.	Function	Functional description	Current input	Voltage input	Initial set value (Voltage, current input)	Important setting	Page
311	Input circuit change	Set the input circuit.		○	3 ϕ 4W (3VT, 3CT)	○	58
312 (²³)	Input voltage	About of rated voltage 110/ $\sqrt{3}$ V or 220/ $\sqrt{3}$ V common product, set the input voltage.		○	110V	○	58
321	Measurement dead band	Set the dead band of measurement display.	○	○	0.0%		59
322	Tidal current measurement	Set the general measurement or tidal current measurement which was conscious of power transmission / power receiving, in measurement of reactive power and power-factor.			General measurement		59
331 (²⁴) (²⁵)	Analog output specification	Set the analog output specification.	○	○	DC1~5V or DC0~5V (Designation)		60
341 (²⁴)	A01 BIAS adjustment	Set the BIAS value of A01 (Analog output 1).	○	○	0.0%		60
342 (²⁴)	A01 SPAN adjustment	Set the SPAN value of A01 (Analog output 1).	○	○	100.0%		60
343 (²⁴)	A02 BIAS adjustment	Set the BIAS value of A02 (Analog output 2).	○	○	0.0%		60
344 (²⁴)	A02 SPAN adjustment	Set the SPAN value of A02 (Analog output 2).	○	○	100.0%		60
345 (²⁴)	A03 BIAS adjustment	Set the BIAS value of A03 (Analog output 3).	○	○	0.0%		60
346 (²⁴)	A03 SPAN adjustment	Set the SPAN value of A03 (Analog output 3).	○	○	100.0%		60
347 (²⁴)	A04 BIAS adjustment	Set the BIAS value of A04 (Analog output 4).	○	○	0.0%		60
348 (²⁴)	A04 SPAN adjustment	Set the SPAN value of A04 (Analog output 4).	○	○	100.0%		60

Note⁽²³⁾ It is a setting item in 110/ $\sqrt{3}$ V or 220/ $\sqrt{3}$ V common products.

Note⁽²⁴⁾ A setting item is not displayed in case there is no corresponding option.

Note⁽²⁵⁾ A setting item is not displayed other than analog output DC0-5V or DC1-5V specification.

5.2 Setting table

A setting item changes by the specification of a product, or the existence of an option.

(1) Important setting

Each parenthesized number shows a setting number and this number is displayed on the setting screen.

Items	Setting and operation procedures	Page
Set the measurement range of voltmeter (211)	Press SET and RESET/SHIFT together for longer than 3 seconds → (211) Select a measurement range by + and - → Press SET → Selected measurement range is entered → Press DISPLAY → Returns to display mode.	50~52
Set the measurement range of ammeter (212)	Press SET and RESET/SHIFT together for longer than 3 seconds → Press RESET/SHIFT → (211) (212) Select a measuring range by + and - → Press SET → Selected measuring range is entered → Press DISPLAY → Returns to display mode.	50~52
Set the display combination (111)	Press SET for longer than 3 seconds → Select the display combination by + and - → (111) Press SET → Selected display combination is entered → Press DISPLAY → Returns to display mode.	42~44
Set the output factor of analog output 1 (A01). (221A)	Press SET and RESET/SHIFT together for longer than 3 seconds → Press MODE → (211) (221A) Select an output factor by + and - → Press SET → Selected output factor is entered → Press DISPLAY → Returns to display mode.	53, 54
Set the output factor of analog output 2 (A02). (222A)	Press SET and RESET/SHIFT together for longer than 3 seconds → Press MODE → (211) (221A) Press RESET/SHIFT → Select an output factor by + and - → Press SET → (222A) Selected output factor is entered → Press DISPLAY → Returns to display mode.	53, 54
Set the output factor of analog output 3 (A03). (223A)	Press SET and RESET/SHIFT together for longer than 3 seconds → Press MODE → (211) (221A) Press RESET/SHIFT → Press RESET/SHIFT → Select an output factor by + and - → (222A) (223A) Press SET → Selected output factor is entered → Press DISPLAY → Returns to display mode.	53, 54
Set the output factor of analog output 4 (A04). (224A)	Press SET and RESET/SHIFT together for longer than 3 seconds → Press MODE → (211) (221A) Press RESET/SHIFT → Press RESET/SHIFT → Press RESET/SHIFT → (222A) (223A) (224A) Select an output factor by + and - → Press SET → Selected output factor is entered → Press DISPLAY → Returns to display mode.	53, 54
Set the output factor of pulse output 1 (P01). (241P)	Press SET and RESET/SHIFT together for longer than 3 seconds → Press MODE → (211) (221A) Press MODE → Select an output factor by + and - → Press SET → (241P) Selected output factor is entered → Press DISPLAY → Returns to display mode.	54
Set the output factor of pulse output 2 (P02). (243P)	Press SET and RESET/SHIFT together for longer than 3 seconds → Press MODE → (211) (221A) Press MODE → Press RESET/SHIFT → Press RESET/SHIFT → (241P) (242P) (243P) Select an output factor by + and - → Press SET → Selected output factor is entered → Press DISPLAY → Returns to display mode.	54

(2) A combination except a display pattern.

Each parenthesized number shows a setting number and this number is displayed on the setting screen.

Items	Setting and operation procedures	Page
Set the display factor of main monitor. (112)	Press SET for longer than 3 seconds → Press RESET/SHIFT → (111) (112) Select an display factor by + and - → Press SET → Selected display factor is entered → Press DISPLAY → Returns to display mode.	42~44
Set the display factor of sub monitor (left). (113)	Press SET for longer than 3 seconds → Press RESET/SHIFT → Press RESET/SHIFT → (111) (112) (113) Select an display factor by + and - → Press SET → Selected display factor is entered → Press DISPLAY → Returns to display mode.	42~44
Set the display factor of sub monitor (center). (114)	Press SET for longer than 3 seconds → Press RESET/SHIFT → Press RESET/SHIFT → (111) (112) (113) Press RESET/SHIFT → Select an display factor by + and - → Press SET → (114) Selected display factor is entered → Press DISPLAY → Returns to display mode.	42~44
Set the display factor of sub monitor (right). (115)	Press SET for longer than 3 seconds → Press RESET/SHIFT → Press RESET/SHIFT → (111) (112) (113) Press RESET/SHIFT → Press RESET/SHIFT → Select an display factor by + and - → (114) (115) Press SET → Selected display factor is entered → Press DISPLAY → Returns to display mode.	42~44
Set the display factor of bar graph. (116)	Press SET for longer than 3 seconds → Press RESET/SHIFT → Press RESET/SHIFT → (111) (112) (113) Press RESET/SHIFT → Press RESET/SHIFT → Press RESET/SHIFT → (114) (115) (116) Select an display factor by + and - (If a submonitor is selected, an underbar will be displayed on the bottom of a digital display.) → Press SET → Selected display factor is entered → Press DISPLAY → Returns to display mode.	42~44

(3) Setting of active power polarity and measurement range.

Each parenthesized number shows a setting number and this number is displayed on the setting screen.

Items	Setting and operation procedures	Page
Setting of measurement range of active power (apparent power). (214), (215)	Press SET and RESET/SHIFT together for longer than 3 seconds → Press RESET/SHIFT → (211) (212) Press RESET/SHIFT → Press RESET/SHIFT → (213) (214) Select an one-side(P)/both-side(-) deflection by + and - → Press SET → Selected deflection is entered → Press RESET/SHIFT → (215) Select a measuring range by + and - → Press SET → Selected measuring range is entered → Press DISPLAY → Returns to display mode.	50~52

(4) Setting of reactive power measurement range.

Each parenthesized number shows a setting number and this number is displayed on the setting screen.

Items	Setting and operation procedures	Page
Setting of measurement range of reactive power. (216)	Press SET and RESET/SHIFT together for longer than 3 seconds → Press RESET/SHIFT → (211) (212) Press RESET/SHIFT → Press RESET/SHIFT → Press RESET/SHIFT → Press RESET/SHIFT → (213) (214) (215) (216) Select a measuring range by + and - → Press SET → Selected measuring range is entered → Press DISPLAY → Returns to display mode.	50~52

(5) Setting of Wh (varh) output pulse unit.

Each parenthesized number shows a setting number and this number is displayed on the setting screen.

Items	Setting and operation procedures	Page
Set the pulse unit of pulse output 1 (Po1). (242P)	Press SET and RESET/SHIFT together for longer than 3 seconds → Press MODE → (211) (221A) Press MODE → Press RESET/SHIFT → Select a output pulse unit by + and - → (241A) (242P) Press SET → Selected output pulse unit is entered → Press DISPLAY → Returns to display mode.	54
Set the pulse unit of pulse output 2 (Po2). (244P)	Press SET and RESET/SHIFT together for longer than 3 seconds → Press MODE → (211) (221A) Press MODE → Press RESET/SHIFT → Press RESET/SHIFT → Press RESET/SHIFT → (241A) (242P) (243P) (244P) Select a output pulse unit by + and - → Press SET → Selected output pulse unit is entered → Press DISPLAY → Returns to display mode.	54

(6) Setting of active power-factor and frequency measurement range

Each parenthesized number shows a setting number and this number is displayed on the setting screen.

Items	Setting and operation procedures	Page
Set the measurement range of active power-factor. (217)	Press SET and RESET/SHIFT together for longer than 3 seconds → Press RESET/SHIFT → (211) (212) Press RESET/SHIFT → Press RESET/SHIFT → Press RESET/SHIFT → Press RESET/SHIFT → (213) (214) (215) (216) Press RESET/SHIFT → Select a measuring range by + and - → Press SET → (217) Selected measuring range is entered → Press DISPLAY → Returns to display mode.	50~52
Set the measurement range of frequency. (218)	Press SET and RESET/SHIFT together for longer than 3 seconds → Press RESET/SHIFT → (211) (212) Press RESET/SHIFT → Press RESET/SHIFT → Press RESET/SHIFT → Press RESET/SHIFT → (213) (214) (215) (216) Press RESET/SHIFT → Press RESET/SHIFT → Select a measuring range by + and - → (217) (218) Press SET → Selected measuring range is entered → Press DISPLAY → Returns to display mode.	50~52

(7) Setting of current display intrinsic sensitivity.

Each parenthesized number shows a setting number and this number is displayed on the setting screen.

Items	Setting and operation procedures	Page
Set the display sensitivity (% of a display to an input) of current. (213)	Press SET and RESET/SHIFT together for longer than 3 seconds → Press RESET/SHIFT → (211) (212) Press RESET/SHIFT → Select a display sensitivity by + and - → Press SET → (213) Selected display sensitivity is entered → Press DISPLAY → Returns to display mode.	50~52

(8) Setting of analog output.

Each parenthesized number shows a setting number and this number is displayed on the setting screen.

Items	Setting and operation procedures	Page
Set the analog output sensitivity (% of an output to an input) of current. (225A)	Press SET and RESET/SHIFT together for longer than 3 seconds → Press MODE → (211) (221A) Press RESET/SHIFT → Press RESET/SHIFT → Press RESET/SHIFT → Press RESET/SHIFT → (222A) (223A) (224A) (225A) Select a output sensitivity by + and - → Press SET → Selected output sensitivity is entered → Press DISPLAY → Returns to display mode.	53, 54
Set the analog output sensitivity (% of an output to an input) of active power (apparent power). (226A)	Press SET and RESET/SHIFT together for longer than 3 seconds → Press MODE → (211) (221A) Press RESET/SHIFT → Press RESET/SHIFT → Press RESET/SHIFT → Press RESET/SHIFT → (222A) (223A) (224A) (225A) Press RESET/SHIFT → Select a output sensitivity by + and - → Press SET → (226A) Selected output sensitivity is entered → Press DISPLAY → Returns to display mode.	53, 54
Set the analog output sensitivity (% of an output to an input) of reactive power. (227A)	Press SET and RESET/SHIFT together for longer than 3 seconds → Press MODE → (211) (221A) Press RESET/SHIFT → Press RESET/SHIFT → Press RESET/SHIFT → Press RESET/SHIFT → (222A) (223A) (224A) (225A) Press RESET/SHIFT → Press RESET/SHIFT → Select a output sensitivity by + and - → (226A) (227A) Press SET → Selected output sensitivity is entered → Press DISPLAY → Returns to display mode.	53, 54
Set the output cut function at the case in minute input (0.5% or less). (At the case of analog output) (228A)	Press SET and RESET/SHIFT together for longer than 3 seconds → Press MODE → (211) (221A) Press RESET/SHIFT → Press RESET/SHIFT → Press RESET/SHIFT → Press RESET/SHIFT → (222A) (223A) (224A) (225A) Press RESET/SHIFT → Press RESET/SHIFT → Press RESET/SHIFT → (226A) (227A) (228A) Select a low Input cut ON/OFF by + and - → Press SET → Selected action is entered → Press DISPLAY → Returns to display mode.	53, 54

(9) Setting of alarm output.

Each parenthesized number shows a setting number and this number is displayed on the setting screen.

Items	Setting and operation procedures	Page
Set the return method of alarm output 1. (122AL)	Press SET for longer than 3 seconds → Press MODE → Press RESET/SHIFT → (111) (121AL) (122AL) Select a return method by + and - → Press SET → The selected return method is entered → Press DISPLAY → Returns to display mode.	45
Set the contact delay time of alarm output 1. (123AL)	Press SET for longer than 3 seconds → Press MODE → Press RESET/SHIFT → (111) (121AL) (122AL) Press RESET/SHIFT → Select an contact delay time by + and - → Press SET → (123AL) The selected contact delay time is entered → Press DISPLAY → Returns to display mode.	45
Set the return method of alarm output 2. (126AL)	Press SET for longer than 3 seconds → Press MODE → Press RESET/SHIFT → (111) (121AL) (122AL) Press RESET/SHIFT → Press RESET/SHIFT → Press RESET/SHIFT → Press RESET/SHIFT → (123AL) (124AL) (125AL) (126AL) Select a return method by + and - → Press SET → The selected return method is entered → Press DISPLAY → Returns to display mode.	45
Set the contact delay time of alarm output 2. (127AL)	Press SET for longer than 3 seconds → Press MODE → Press RESET/SHIFT → (111) (121AL) (122AL) Press RESET/SHIFT → Press RESET/SHIFT → Press RESET/SHIFT → Press RESET/SHIFT → (123AL) (124AL) (125AL) (126AL) Press RESET/SHIFT → Select an contact delay time by + and - → Press SET → (127AL) The selected contact delay time is entered → Press DISPLAY → Returns to display mode.	45

(10) Demand measurement (current, active power) setting.

Each parenthesized number shows a setting number and this number is displayed on the setting screen.

Items	Setting and operation procedures	Page
Set the high-alarm value of demand current. (131H)	Press SET for longer than 3 seconds → Press MODE → Press MODE → (111) (121AL) (131H) Select a high-alarm value by + and - → Press SET → Selected high-alarm value is entered → Press DISPLAY → Returns to display mode.	46
Set the high-alarm value of demand active power. (133H)	Press SET for longer than 3 seconds → Press MODE → Press MODE → Press RESET/SHIFT → (111) (121AL) (131H) → Press RESET/SHIFT → Select a high-alarm value by + and - → Press SET → (132) (133H) Selected high-alarm value is entered → Press DISPLAY → Returns to display mode.	46
Set the operation method of power-factor measurement. (136)	Press SET for longer than 3 seconds → Press MODE → Press MODE → Press RESET/SHIFT → (111) (121AL) (131H) → Press RESET/SHIFT → Press RESET/SHIFT → Press RESET/SHIFT → Press RESET/SHIFT → (132) (133H) (134) (135) → Select a operation method by + and - → Press SET → (136) Selected operation method is entered → Press DISPLAY → Returns to display mode.	46, 47

Items	Setting and operation procedures	Page
Set the detected characteristics of 5th conversion content. (149)	Press SET for longer than 3 seconds → Press MODE → Press MODE → Press MODE → (111) (121AL) (131H) (141H) Press RESET/SHIFT → Press RESET/SHIFT → Press RESET/SHIFT → Press RESET/SHIFT → (142H) (143) (144H) (145H) Press RESET/SHIFT → Press RESET/SHIFT → Press RESET/SHIFT → Press RESET/SHIFT → (146H) (147) (148H) (149) Select a detected characteristics by + and - → Press SET → Selected detected characteristics is entered → Press DISPLAY → Returns to display mode.	47, 48
Set the average time interval. (14A)	Press SET for longer than 3 seconds → Press MODE → Press MODE → Press MODE → (111) (121AL) (131H) (141H) Press RESET/SHIFT → Press RESET/SHIFT → Press RESET/SHIFT → Press RESET/SHIFT → (142H) (143) (144H) (145H) Press RESET/SHIFT → Press RESET/SHIFT → Press RESET/SHIFT → Press RESET/SHIFT → (146H) (147) (148H) (149) Press RESET/SHIFT → Select a time interval by + and - → Press SET → (14A) Selected time interval is entered → Press DISPLAY → Returns to display mode.	47, 48

(12) Instant measurement setting

Each parenthesized number shows a setting number and this number is displayed on the setting screen.

Items	Setting and operation procedures	Page
Set the high-alarm value of instant voltage. (151H)	Press SET for longer than 3 seconds → Press MODE → Press MODE → Press MODE → (111) (121AL) (131H) (141H) Press MODE → Select a high-alarm value by + and - → Press SET → (151H) Selected high-alarm value is entered → Press DISPLAY → Returns to display mode.	48
Set the low-alarm value of instant voltage. (152L)	Press SET for longer than 3 seconds → Press MODE → Press MODE → Press MODE → (111) (121AL) (131H) (141H) Press MODE → Press RESET/SHIFT → Select a low-alarm value by + and - → (151H) (152L) Press SET → Selected low-alarm value is entered → Press DISPLAY → Returns to display mode.	48

(13) Backlight setting

Each parenthesized number shows a setting number and this number is displayed on the setting screen.

Items	Setting and operation procedures	Page
Set the action of backlight. (171)	Press SET for longer than 3 seconds → Press MODE → Press MODE → Press MODE → (111) (121AL) (131H) (141H) Press MODE → Press MODE → Select backlight action by + and - → Press SET → (151H) (171) Selected backlight action is entered → Press DISPLAY → Returns to display mode.	49
Set the brightness of backlight. (172)	Press SET for longer than 3 seconds → Press MODE → Press MODE → Press MODE → (111) (121AL) (131H) (141H) Press MODE → Press MODE → Press RESET/SHIFT → Select a brightness by + and - → (151H) (171) (172) Press SET → Selected backlight brightness is entered → Press DISPLAY → Returns to display mode.	49

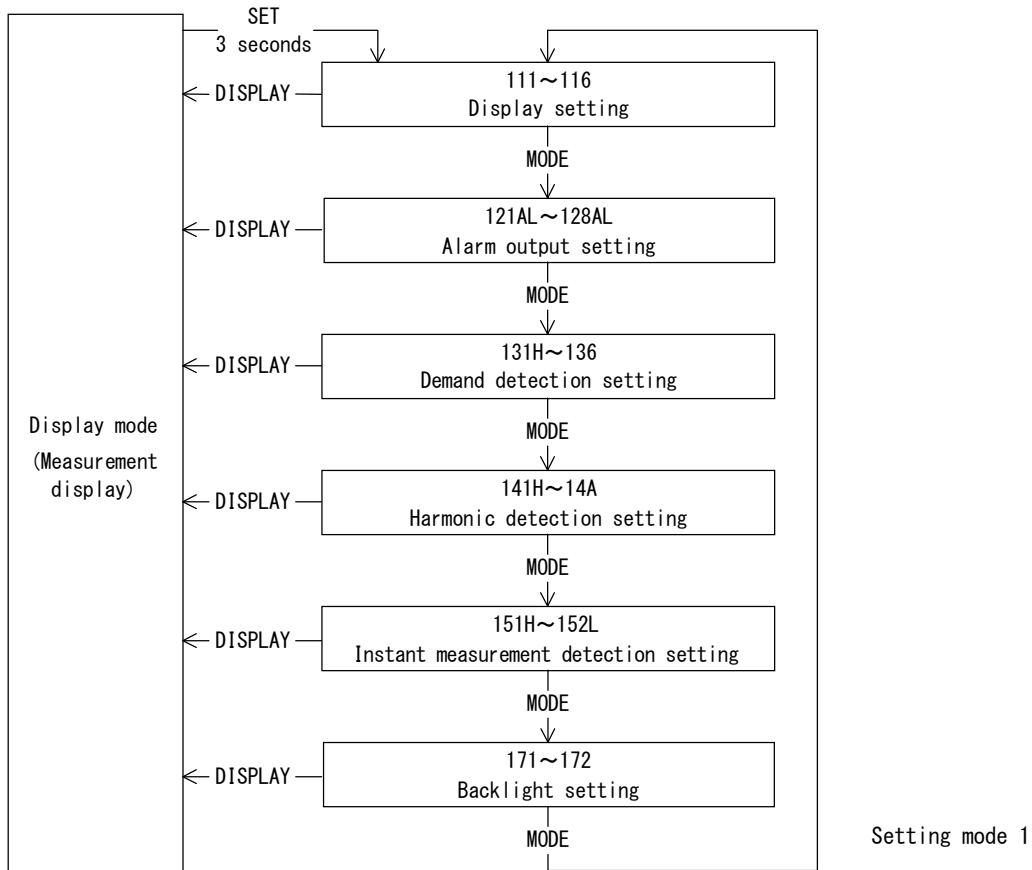
(14) Other, measurement setting

Each parenthesized number shows a setting number and this number is displayed on the setting screen.

Items	Setting and operation procedures	Page
Set the dead band of measurement display. (321)	Press SET and DISPLAY together for longer than 3 seconds ➡ Press MODE ➡ (311) (321) Select of dead band value in measurement display by + and - ➡ Press SET ➡ The value of dead band in display is entered ➡ Press DISPLAY ➡ Returns to display mode.	59
Set the tidal current measurement of reactive power and power-factor. (322)	Press SET and DISPLAY together for longer than 3 seconds ➡ Press MODE ➡ (311) (321) Press RESET/SHIFT ➡ Select a tidal current measurement ON/OFF by + and - ➡ (322) Press SET ➡ Selected action is entered ➡ Press DISPLAY ➡ Returns to display mode.	59

5.3 Setting in detail explanation

5.3.1 Setting mode 1



Setting mode 1 is selected by pressing **SET** switch for longer than 3 seconds.

Pushing **MODE** switch performs movement of setting item.

The present mode can be returned to the display mode by pressing **DISPLAY** switch.

< Caution >

If setting change should have been mistaken, an alarm output is not obtained correctly.

Therefore, users must not set. The setting item without the corresponding option is not displayed.

(1) 111~116 Display combination setting 【All models】

● Voltage, current input ⁽²⁶⁾ ⁽²⁷⁾

No.	Pattern No.	Main monitor	Submonitor (Left)	Submonitor (Center)	Submonitor (Right)	Bar graph
1	Pattern 1	A (Y)	V (RY)	W	Wh	A (Y)
2	Pattern 2	A (Y)	V (RY)	W	cos φ	A (Y)
3	Pattern 3	A (Y)	V (RY)	W	Hz	A (Y)
4	Pattern 4	DA (Y)	A (Y)	V (RY)	W	DA (Y)
5	Pattern 5	DA (Y)	A (Y)	V (RY)	Wh	DA (Y)
6	Pattern 6	DA (Y)	V (RY)	W	cos φ	DA (Y)
7	Pattern 7	W	V (RY)	A (Y)	Wh	W
8	Pattern 8	W	V (RY)	A (Y)	cos φ	W
9	Pattern 9	W	V (RY)	A (Y)	Hz	W
10	Pattern 10	DW	V (RY)	W	Wh	DW
11	Pattern 11	DW	V (RY)	A (Y)	cos φ	DW
12	Pattern 12	A (Y)	cos φ	W	Wh	A (Y)
13	Pattern 13	A (Y)	var	W	Wh	A (Y)
14	Pattern 14	W	cos φ	var	Wh	W
15	Pattern 15	A (Y)	A (R)	A (B)	Wh	A (Y)
16	Pattern 16	V (RY)	V (YB)	V (BR)	Hz	V (RY)

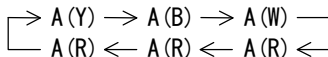
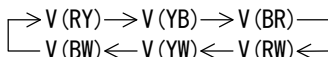
Note ⁽²⁶⁾ Voltage input is pattern 16 only.

Note ⁽²⁷⁾ Current input is pattern 15 only. (However, submonitor (right) is A(W) display.)

● Displays set factor

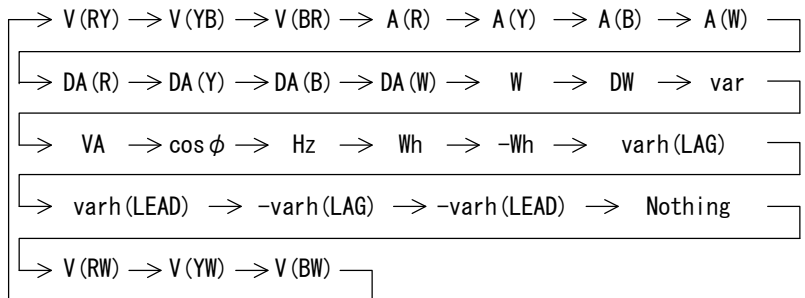
Main monitor	V (RW), V (YW), V (BW), V (RY), V (YB), V (BR), A (R), A (Y), A (B), A (W), DA (R), DA (Y), DA (B), DA (W), W, DW, var, VA, cos φ, Hz, Wh, -Wh, varh (LAG), varh (LEAD), -varh (LAG), -varh (LEAD), Distortion factor (A, V)
Sub monitor (Left)	V (RW), V (YW), V (BW), V (RY), V (YB), V (BR), A (R), A (Y), A (B), A (W), W, var, cos φ
Sub monitor (Center)	V (RW), V (YW), V (BW), V (RY), V (YB), V (BR), A (R), A (Y), A (B), A (W), DA (R), DA (Y), DA (B), DA (W), W, DW, var, varh (LAG), varh (LEAD), -varh (LAG), -varh (LEAD), Harmonic 5th conversion content (A, V), Harmonic nth content (A, V)
Sub monitor (Right)	V (RW), V (YW), V (BW), V (RY), V (YB), V (BR), A (R), A (Y), A (B), A (W), DA (R), DA (Y), DA (B), DA (W), W, DW, cos φ, Hz, Wh, -Wh, Fundamental-wave effective value (A, V), Harmonic 5th conversion effective value (A, V), Harmonic nth effective value (A, V)
Bar graph	V (RW), V (YW), V (BW), V (RY), V (YB), V (BR), A (R), A (Y), A (B), A (W), DA (R), DA (Y), DA (B), DA (W), W, DW, var, cos φ, Hz, Distortion factor (A, V), Harmonic 5th conversion content (A, V), Harmonic nth content (A, V), Fundamental-wave effective value (A, V), Harmonic 5th conversion effective value (A, V), Harmonic nth effective value (A, V)

● Phase (line) change ⁽²⁸⁾



Note ⁽²⁸⁾ Press **DISPLAY**, Voltage and current are replaced at the same time.

● Measurement factor change (Measurement display mode)



● Measurement factor change (Harmonic measurement display mode)

Main monitor : Distortion factor (Fixation)

Sub monitor (Left) : Harmonic order n → 5th conversion → 1 → 3 → 4 → 5 → 7 → 9 → 11 → 13 → 15 →

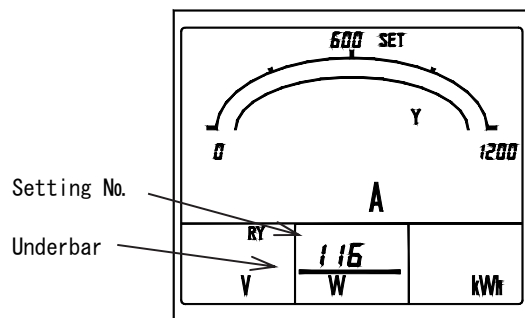
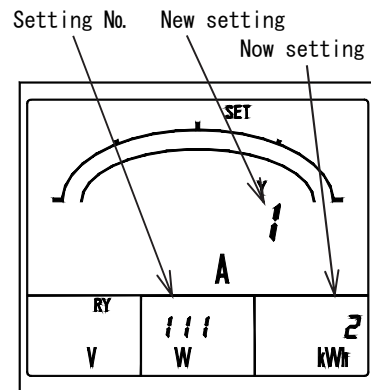
Sub monitor (Center) : Harmonic nth content (Fixation)

Sub monitor (Right) : Harmonic nth effective value (Fixation)

◆ 111 Combination display
 Select the factors to be measured and monitored by 4 digital displays out of combination patterns.
 Set values are updated by **SET**.

◆ 112~115 Main monitor, Sub monitor (left), Sub monitor (center), Sub monitor (right)
 Set these items for a display configuration other than combined patterns. Set values are updated by **SET**.

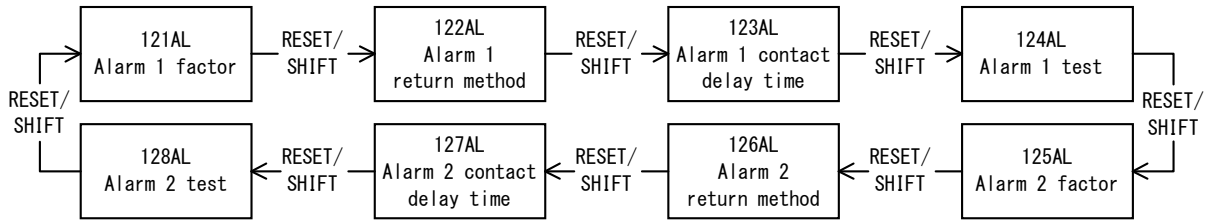
◆ 116 Bar graph factor
 A factor being monitored in the main monitor is basically displayed by a bar graph. Set this item for displaying a factor being monitored on a sub monitor by bar graph. An underbar is attached to the digital display of the setting sub monitor.
 Set values are updated by **SET**.



(2) 121AL~128AL Alarm output setting 【With an alarm output option】

Various setting and an output test are performed about an alarm output.

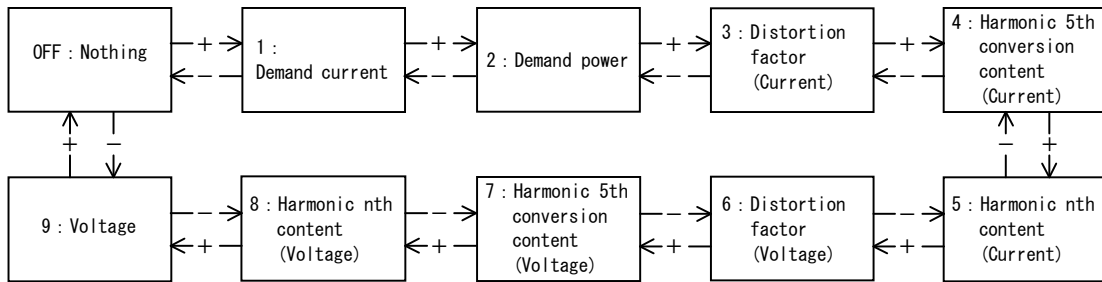
In case contact outputs 1 and 2 are alarm-output specifications, the corresponding alarm output is setting.



◆ 121AL Alarm 1 factor setting, 125AL Alarm 2 factor setting.

Set the output factor of alarms 1 and 2. Selection by **[+]** and **[-]**, set value is updated by **[SET]**.

Default setting : 1 (DA : Demand current)



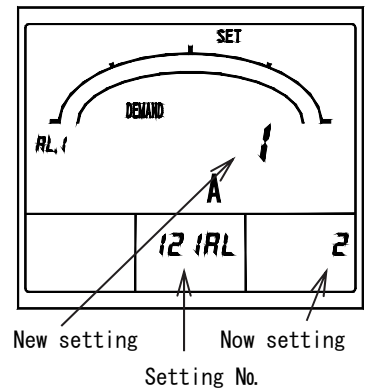
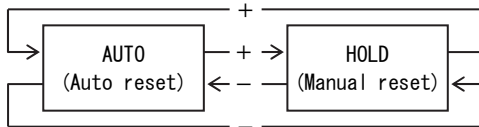
◆ 122AL Alarm 1 reset method setting, 126AL Alarm 2 reset method setting

Output action at the case of a reset of alarms 1 and 2 can be selected from AUTO (automatic reset) and HOLD (manual reset).

In "AUTO (automatic reset)", an alarm output also constitutes OFF according to a reset of an alarm. In "HOLD (manual reset)", even after an alarm reset, an output holds ON. The reset in this case (output OFF) is performed in **[RESET/SHIFT]**.

Selection by **[+]** and **[-]**, set value is updated by **[SET]**.

Default setting : AUTO (automatic reset)



◆ 123AL Alarm 1 contact delay time, 127AL Alarm 2 contact delay time

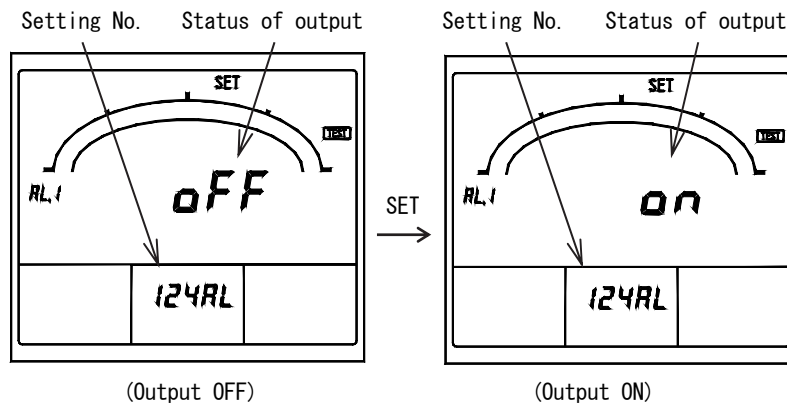
Set the contact delay time of alarms 1 and 2. The setting range is 0 to 300 seconds (1-second step).

Selection by **[+]** and **[-]**, set value is updated by **[SET]**.

Default setting : 0 second (With no contact delay)

◆ 124AL Alarm 1 test, 128AL Alarm 2 test

The output of alarms 1 and 2 is tested. While pushing **[SET]**, an output is ON, and if it detaches, an output switches OFF.

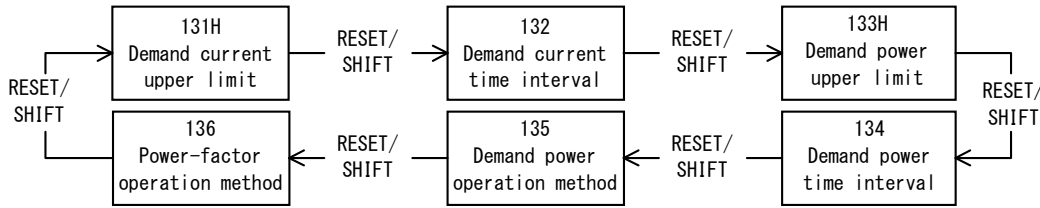


Alarm 1 test

(3) 131H~136 Demand detection setting 【Except voltage input】

The following operation method is setting.

Demand current, action of demand, high-alarm value, time-interval, power-factor, demand active power.



◆ 131H Demand current upper limit. 133H Demand active power upper limit.

Set the high-alarm value of demand current (DA) and demand active power (DW).

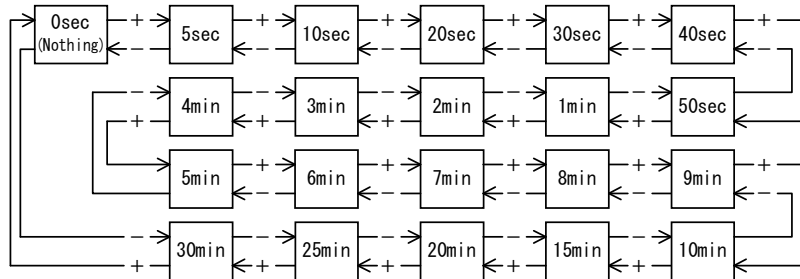
The setting range is 5 to 100% (1% step). Selection by and , set value is updated by .

Default setting : 80% (demand current, demand active power)

◆ 132 Demand current time interval. 134 Demand active power time interval.

Set the time interval (95% time interval) of demand current (DA) and demand active power (DW). Selection by and , set value is updated by .

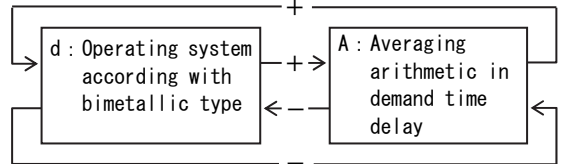
Default setting : 0 second (demand current, demand active power)



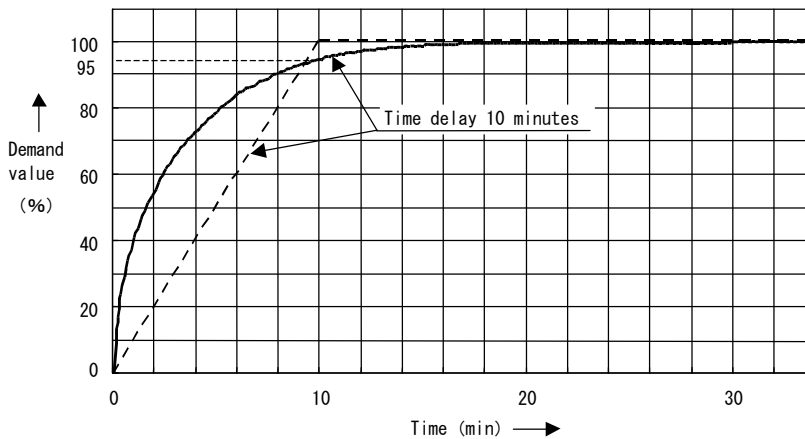
◆ 135 Demand active power operation method

The operating system of demand (DW) can be selected from d (operating system according with bimetallic type : demand) and A (Averaging arithmetic in demand time delay : average). Selection by and , set value is updated by .

Default setting : d(Operating system according with bimetallic type)



● Demand time delay characteristic (Demand current, Demand active power)



— Arithmetic method according with bimetallic type. (Indication time to 95% of a final constant value)

- - - Averaging arithmetic in demand time delay. (Averaging time in demand time delay.)

Arithmetic method

Demand current measurement : Arithmetic method according with bimetallic type.

Demand active power measurement : Arithmetic method according with bimetallic type (Initial value).

Or the averaging arithmetic in a demand time interval.

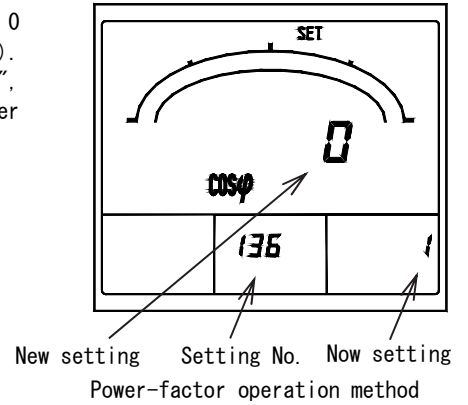
One is selected by setting.

100% indication time is about 3 times the time delay at the case of the arithmetic method according with bimetallic type. (In case of 10 minutes/95% of time-interval, time to reach to 100% is about 30 minutes.)

Demand measurement is measured to the 2 times of the rated current, and the 2 time of a rated active power.

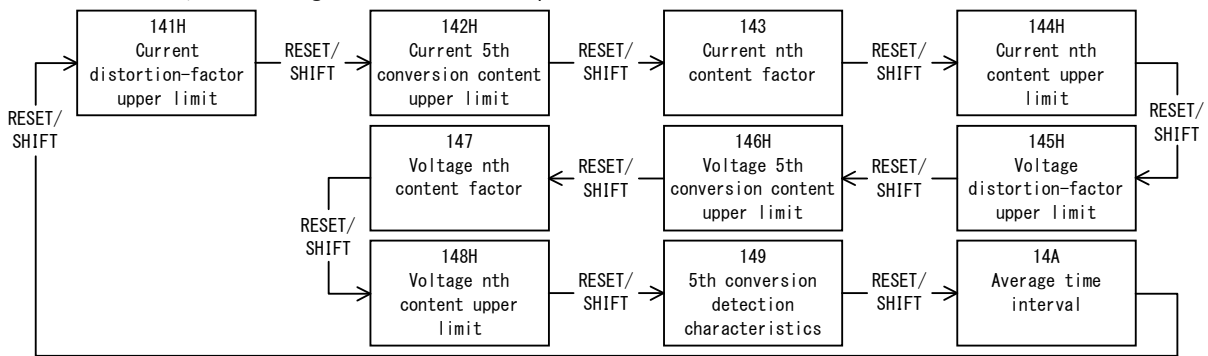
◆ 136 Power-factor operation method

The operation method of power-factor measurement can be selected from 0 (instant measurement) and 1 (averaging operator in a demand time interval). In case it is set as "1 (averaging operator in a demand time interval)", power-factor measurement is calculated from the operation method of a power demand time interval and a demand active power meter. Selection by $\boxed{+}$ and $\boxed{-}$, set value is updated by \boxed{SET} .
Default setting : 0 (Instant measurement)



(4) 141H~14A Harmonic detection setting 【All models】

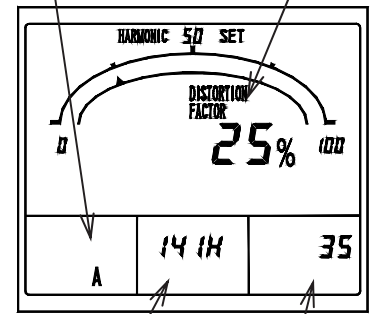
Set the high-alarm value of each harmonic (current, voltage) measurement factor, factor, 5th conversion detection characteristics, and average time interval is performed.



◆ 141H Current distortion-factor upper limit, 145H Voltage distortion-factor upper limit

Set the high-alarm value of distortion factor (current, voltage).
 Setting range. Current : 5~100% (1% step)
 Voltage : 1.0~20.0% (0.1% step)
 Selection by $\boxed{+}$ and $\boxed{-}$, set value is updated by \boxed{SET} .
Default setting : OFF [Non-use] (Current, Voltage)

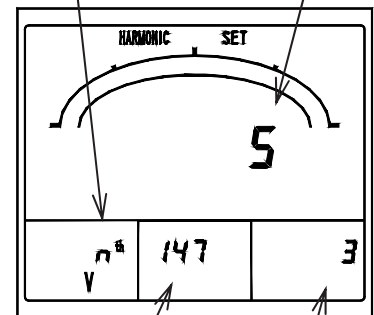
Setting factor New setting



Setting No. Now setting
 Current distortion-factor upper limit

◆ 142H Current 5th conversion content upper limit, 146H Voltage 5th conversion content upper limit.
 Set the high-alarm value of 5th conversion content (current, voltage).
 Setting range. Current : 5~100% (1% step)
 Voltage : 1.0~20.0% (0.1% step)
 Selection by $\boxed{+}$ and $\boxed{-}$, set value is updated by \boxed{SET} .
Default setting : OFF [Non-use] (Current, Voltage)

Setting factor New setting



Setting No. Now setting
 Voltage nth content factor

◆ 143 Current nth content factor, 147 Voltage nth content factor.
 Set the factor (order) of nth content (current, voltage).
 An order can be selected from n= 3, 4, 5, 7, 9, 11, 13, 15.
 Selection by $\boxed{+}$ and $\boxed{-}$, set value is updated by \boxed{SET} .
Default setting : 5th(Current, Voltage)

◆ 144H Current nth content upper limit, 148H Voltage nth content upper limit.
 Set the high-alarm value of nth content (current, voltage).
 Setting range. Current : 5~100% (1% step)
 Voltage : 1.0~20.0% (0.1% step)
 Selection by $\boxed{+}$ and $\boxed{-}$, set value is updated by \boxed{SET} .
Default setting : OFF [Non-use] (Current, Voltage)

◆ 149 5th conversion detection characteristics.

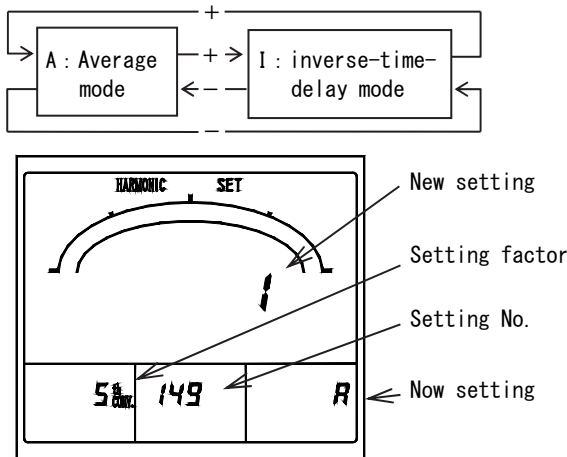
The detection characteristics of 5th conversion content can be selected from A (average mode) and I (inverse-time-delay mode).

In case of "A (average mode)", when average measured value (the average of instantaneous value in average time interval) exceeded the upper limit alarm value, it detects.

And in case of "I (inverse-time-delay mode)", when exceeding the upper limit warning value by anti-time limit characteristic of instantaneous value, it detects.

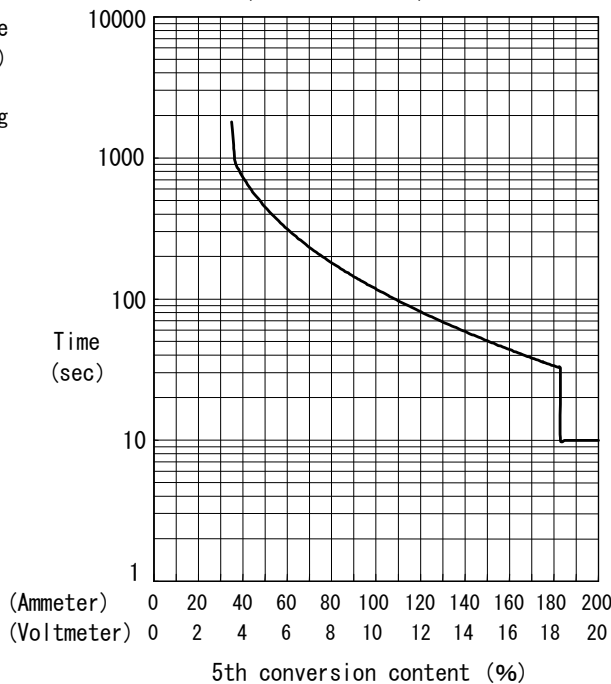
Selection by **[+]** and **[-]**, set value is updated by **[SET]**.

Default setting : I (inverse-time-delay mode)



5th conversion detection

Alarm output, Inverse-time-delay characteristics
In case of high-limit-setting value 35%
(voltmeter 3.5%)



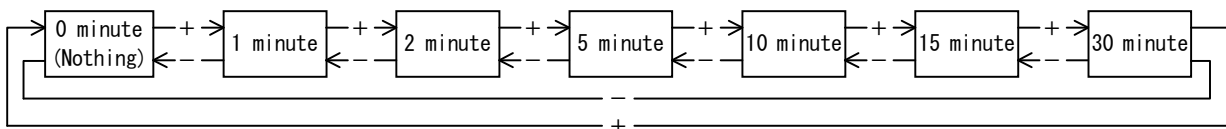
◆ 14A Average time interval

Set the average time interval of each harmonic measurement.

Selection by **[+]** and **[-]**, set value is updated by **[SET]**.

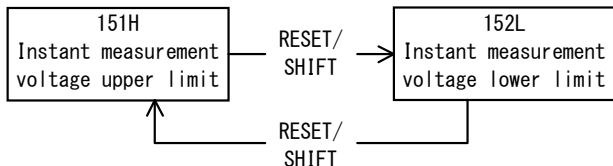
In addition, in case the detection characteristics of 5th conversion content are set as inverse-time-delay mode, in order that 5th conversion content may operate in inverse-time-delay characteristics, this time interval is disregarded.

Default setting : 0 minute (With no average)



(5) 151H~152L Instant measurement detection setting 【Current input is excluded.】

An upper limit low-alarm value is set by instant measurement (voltage factor).



◆ 151H Instant measurement voltage upper limit,

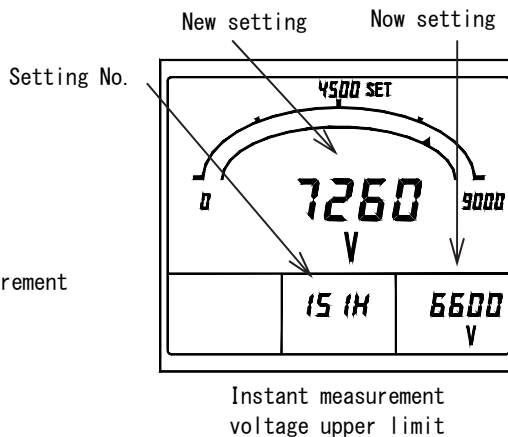
152L Instant measurement voltage lower limit.

Set the high-alarm value and low-alarm value of instant measurement (voltage).

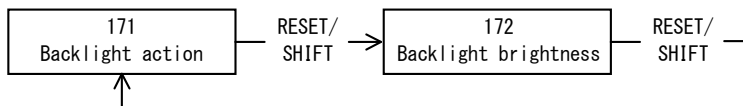
Setting range is 30~150% (1% step).

Selection by **[+]** and **[-]**, set value is updated by **[SET]**.

Default setting : OFF [Non-use] (Upper limit, lower limit)



(6) 171~172 Backlight setting 【All models】 (However, the brightness of backlight is only white backlight products)
 It sets action and brightness of backlight.



◆ 171 Backlight action

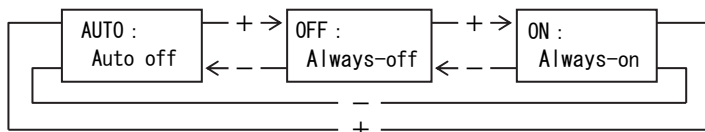
It can select from ON (always-on), AUTO (auto off), and OFF (always-off) about action of backlight.

If 5 minutes elapses without operating a switch in case it is set as "AUTO (auto off)", backlight will go out automatically.

After that, backlight will be turned on if either of switches is operated.

Selection by and , set value is updated by .

Default setting : AUTO (Auto off)



◆ 172 Backlight brightness 【white backlight products only】

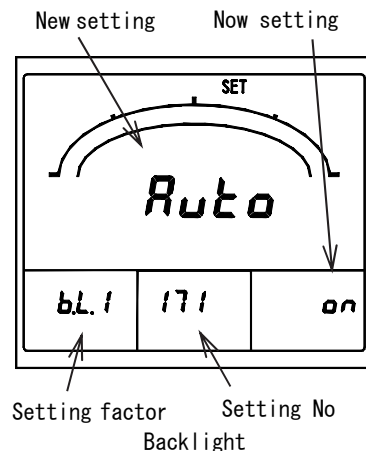
It can select the brightness of backlight as five steps of 1 to 5.

Backlight becomes the darkest if it is set as "1".

Backlight becomes the brightest if it is set as "5".

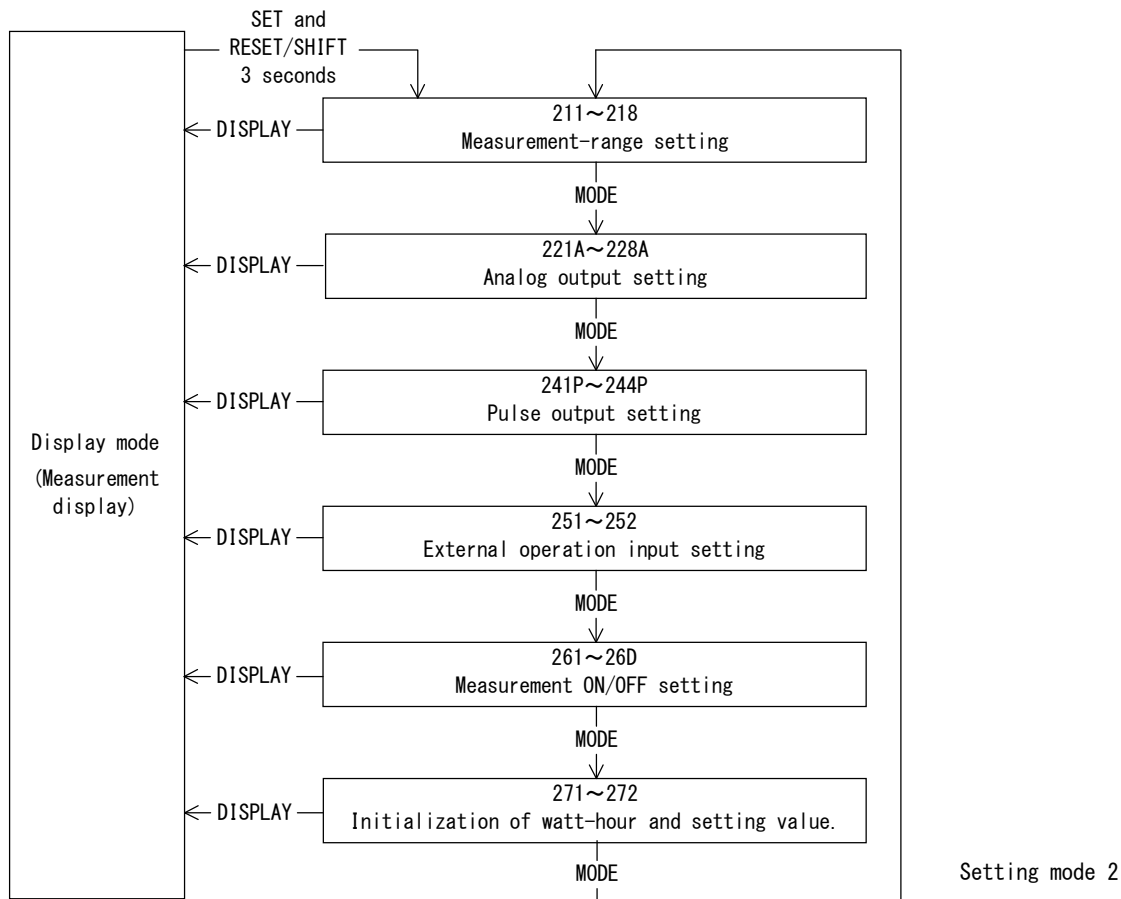
Selection by and , set value is updated by .

Default setting : 3 (Middle)



Setting	Brightness
5	Bright ↑ ↓ Dark
4	
3	
2	
1	

5.3.2 Setting mode 2



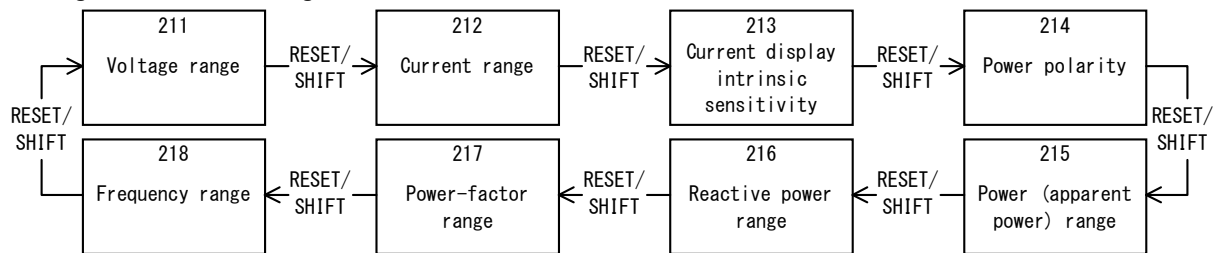
Setting mode 2 is selected by pressing **SET** and **RESET/SHIFT** switches continuously for longer than 3 seconds. Pushing **MODE** switch performs movement of setting item. The present mode can be returned to the display mode by pressing **DISPLAY** switch.

< Caution >

If setting change should have been mistaken, a display and output of measurement are not obtained correctly. Therefore, users must not set. The setting item without the corresponding option is not displayed.

(1) 211~218 Measurement-range setting **【All models】**

Setting of measurement range in each measurement factors.



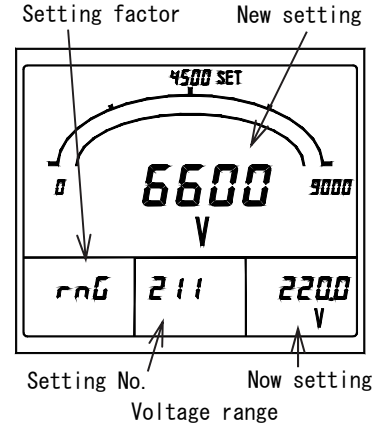
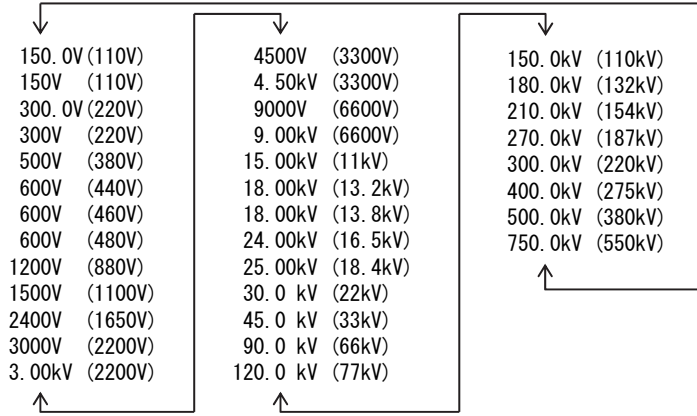
◆ 211 Voltage range

Set the voltage range (VT ratio). Change of this setting also sets the measurement range of active power (apparent power) and reactive power automatically simultaneously.

Selection by + and -, set value is updated by .

Default setting : 440V (110/ $\sqrt{3}$ products), 220V (220/ $\sqrt{3}$ V product)

Voltage measurement range (34 range)



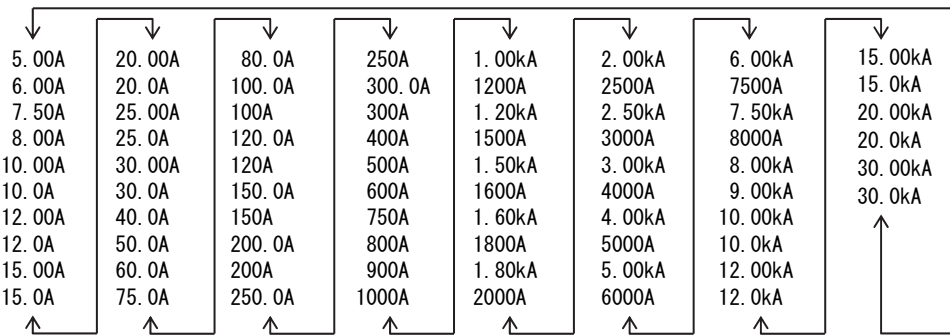
◆ 212 Current range

Set the current range (CT ratio). Change of this setting also sets the measurement range of active power (apparent power) and reactive power automatically simultaneously.

Selection by + and -, set value is updated by .

Default setting : 1500A

Current-measurement range (76 range)



◆ 213 Current display intrinsic sensitivity

Set the full scale of current meter.

The setting range is 40 to 120% of CT ratio. And, it can select from the following values.

Selection by + and -, set value is updated by .

Default setting : 100.0%

The measurement range (current, active power (apparent power), reactive power) which can be set. ($\times 10^n$)	
1. <input type="checkbox"/>	1.0/1.2/1.4/1.5/1.6/1.8
2. <input type="checkbox"/>	2.0/2.4/2.5/2.8
3. <input type="checkbox"/>	3.0/3.2/3.6
4. <input type="checkbox"/>	4.0/4.2/4.5/4.8
5. <input type="checkbox"/>	5.0/5.6
6. <input type="checkbox"/>	6.0/6.4
7. <input type="checkbox"/>	7.2/7.5
8. <input type="checkbox"/>	8.0/8.4
9. <input type="checkbox"/>	9.0/9.6

Example)

In case of CT ratio=100.0A.

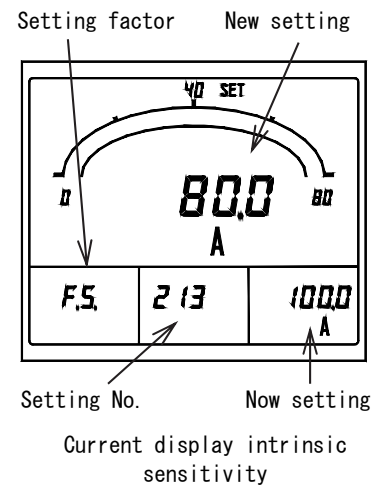
·40% of 100A is 40A.

·120% of 100A is 120A.

A measurement range can be selected within the limits of 40 to 120A.

Therefore, a left table

A measurement range can be selected from 40/42/45/48/50/56/60/64/72/75/80/84/90/96/100/120A.

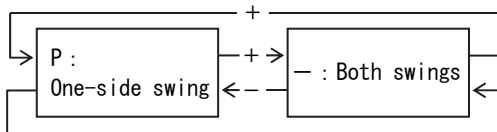


◆ 214 Active power polarity

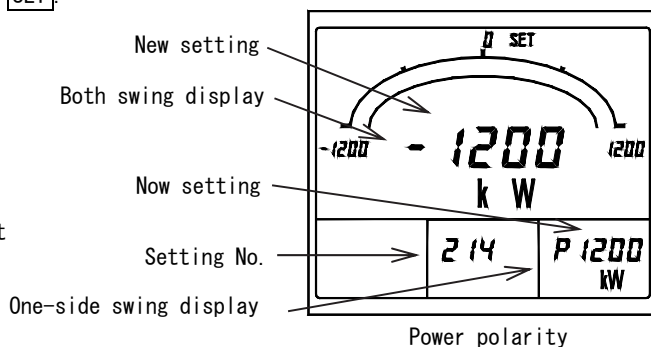
A swing display of active power meter can be selected from P (one side swing) and - (both swings).

Selection by $\boxed{+}$ and $\boxed{-}$, set value is updated by \boxed{SET} .

Default setting : P (One-side swing)



<Caution> Even if it set as both swings, apparent power is one-side swing.



◆ 215 Active power (apparent power) range

Set the full scale of active power (apparent power) meter. The setting range is 40 to 115% of range of a VT ratio \times CT ratio. And it can select from "213 current display intrinsic sensitivity" tables.

Selection by $\boxed{+}$ and $\boxed{-}$, set value is updated by \boxed{SET} .

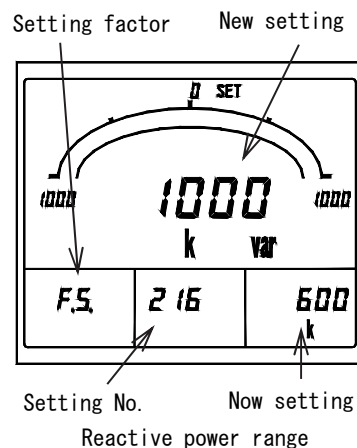
<Caution> VT ratio : In case of 220/ $\sqrt{3}$ V direct input.

Calculates by VT ratio = 2.

CT ratio : In case of 1A input. Calculates by CT ratio \div 5.

In addition, active power and apparent power cannot be set individually.

Default setting : 1200kW(1200kVA) : 110/ $\sqrt{3}$ V product
 600kW(600kVA) : 220/ $\sqrt{3}$ V product



◆ 216 Reactive power range

Set the full scale of reactive power meter.

The setting range is 30 to 115% of range of a VT ratio \times CT ratio.

And it can select from "213 current display intrinsic sensitivity" tables.

Selection by $\boxed{+}$ and $\boxed{-}$, set value is updated by \boxed{SET} .

<Caution> VT ratio : In case of 220/ $\sqrt{3}$ V direct input.

Calculates by VT ratio = 2.

CT ratio : In case of 1A input. Calculates by CT ratio \div 5.

Default setting : 600kvar (110/ $\sqrt{3}$ V product) , 300kvar (220/ $\sqrt{3}$ product)

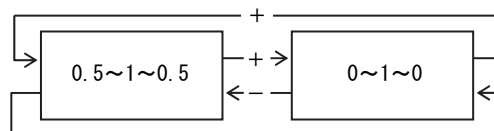
◆ 217 Power-factor range

A power-factor measurement range can be selected from 0.5~1~0.5 or 0~1~0.

Change of this setting also sets the analog output range of a power-factor automatically simultaneously.

Selection by $\boxed{+}$ and $\boxed{-}$, set value is updated by \boxed{SET} .

Default setting : 0.5~1~0.5

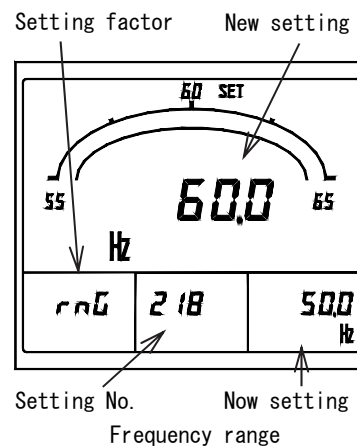
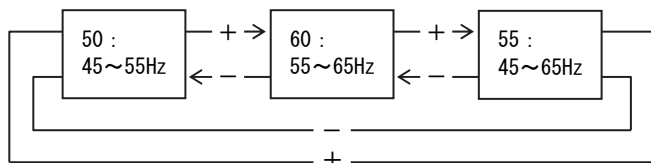


◆ 218 Frequency range

A frequency measurement range can be selected from 45~55Hz or 55~65Hz or 45~65Hz. Change of this setting also sets the analog output range of a frequency automatically simultaneously.

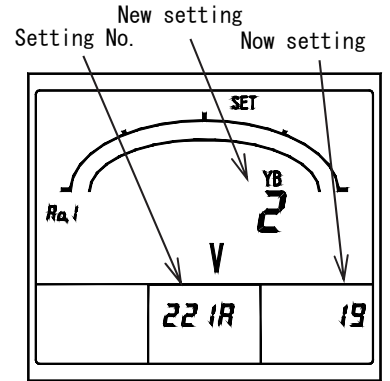
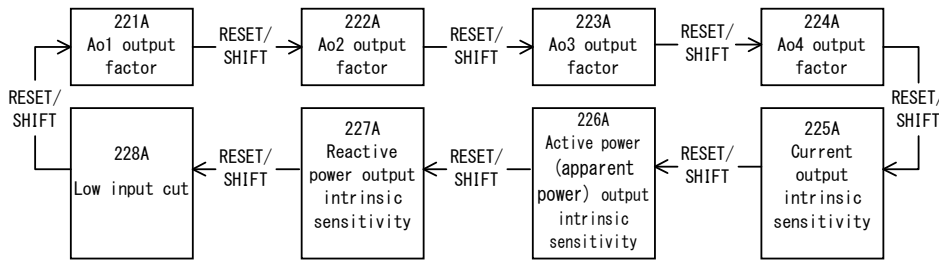
Selection by $\boxed{+}$ and $\boxed{-}$, set value is updated by \boxed{SET} .

Default setting : 45~65Hz



(2) 221A~228A Analog output setting 【With an analog output option】

Various setting of analog output is performed.



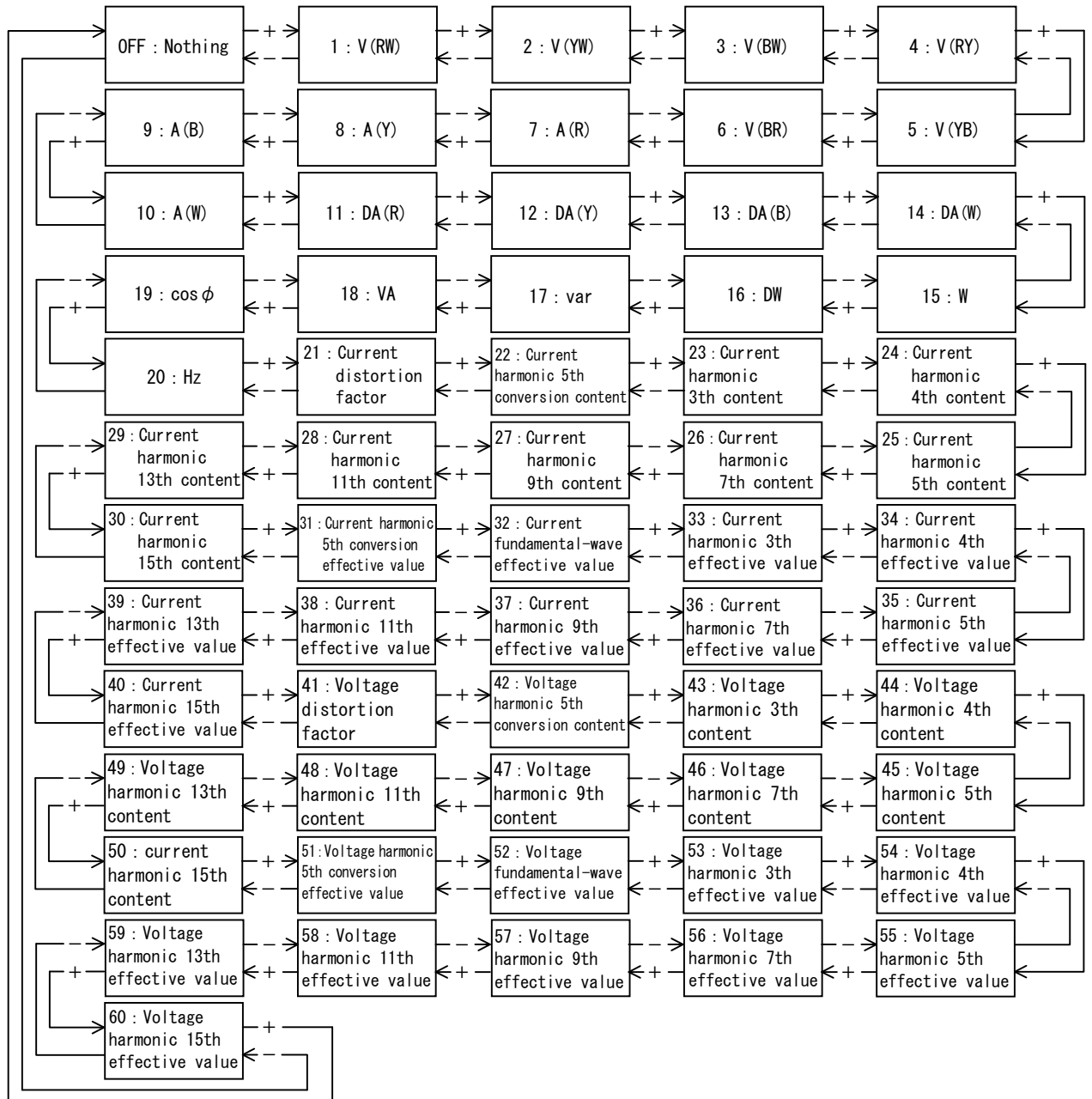
Ao1 output factor

◆ 221A~224A A0(analog output) 1~4 output factor.

Set the output factor of each analog outputs.

Selection by $\boxed{+}$ and $\boxed{-}$, set value is updated by \boxed{SET} .

Default setting : A01 A(Y) , A02 V(RY) , A03 W , A04 $\cos \phi$



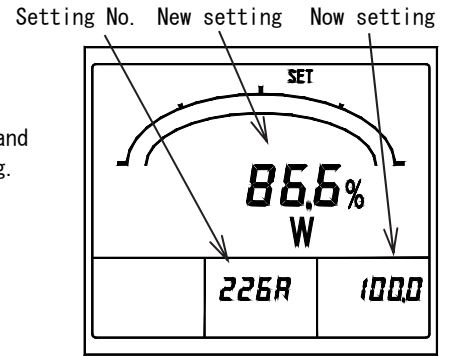
- ◆ 225A Current output intrinsic sensitivity,
- 226A Active power (apparent power) output intrinsic sensitivity,
- 227A Reactive power output intrinsic sensitivity.

Output intrinsic sensitivity (% of an output to an input) is set about each analog output of current, active power (apparent power), and reactive power. The setting range can be selected from the following.

- Current : 40.0~120.0% (0.1% step)
- Active power (apparent power) : 40.0~115.0% (0.1% step)
- Reactive power : 30.0~115.0% (0.1% step)

Selection by + and -, set value is updated by .

Default setting : 100.0%(Current, Active power (apparent power)),
50.0%(Reactive power)



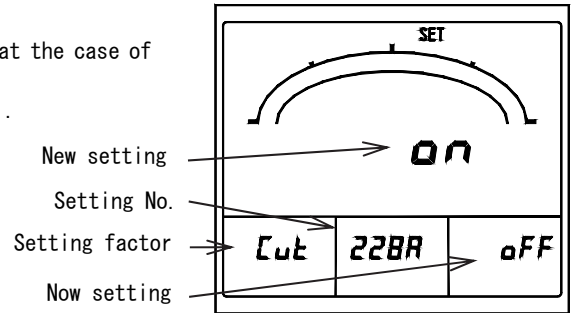
Power-output intrinsic sensitivity,

Example) 600V, 1500A, 1200kW range, Analog output DC4~20mA
 ·Set 100.0%. Analog output is DC20mA in 1200kW of primary inputs.
 ·Set 80.0%. Analog output is DC20mA in 1200kW×0.8=960kW of primary input.

- ◆ 228A Low input cut

It is the function which makes analog output a lower limit at the case of a minute input (input which corresponds to 0.5% or less). A function can be selected from ON (Use) and OFF (Non-use). Selection by + and -, set value is updated by .

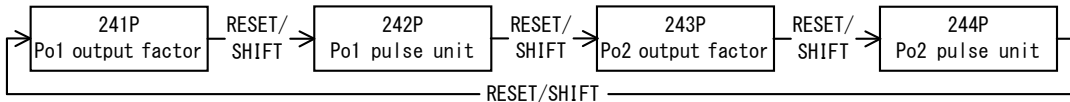
Default setting : OFF (Non-use)



Low input cut

(3) 241P~244P Pulse output setting 【With a pulse output option】

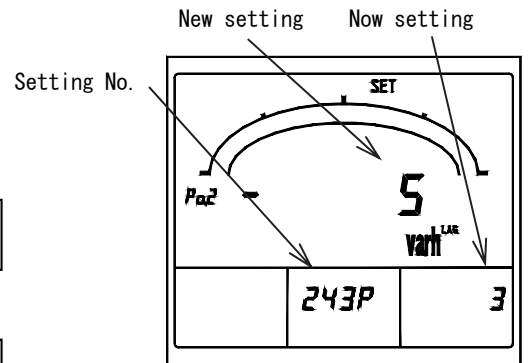
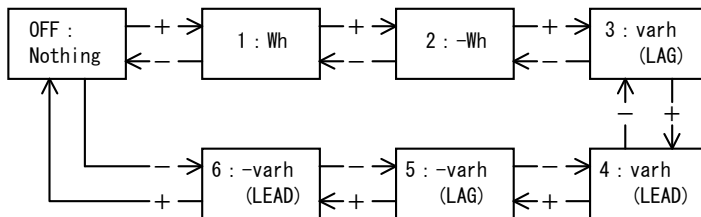
Various setting of a pulse output is performed.



- ◆ 241P PO(pulse output) 1 output factor,
- 243P PO(pulse output) 2 output factor

Set the output factor of each pulse output. Selection by + and -, set value is updated by .

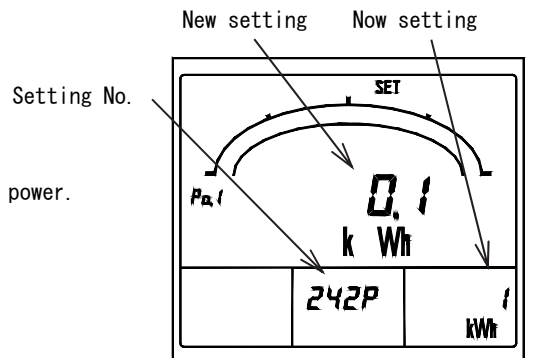
Default setting : Wh (PO1, PO2)



Po2 output factor

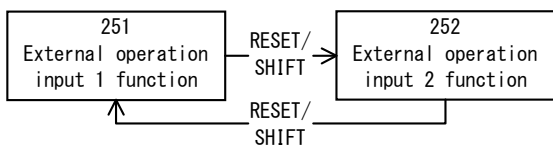
- ◆ 242P PO(pulse output) 1 pulse unit,
- 244P PO(pulse output) 2 pulse unit

Set the pulse unit of each pulse output. A pulse unit can be selected from four types. The pulse unit that can be selected is decided with full-load power. Default setting : 10kWh/p (110/√3V, 440/√3V product),
1kWh/p (220/√3V product)



Po1 pulse unit

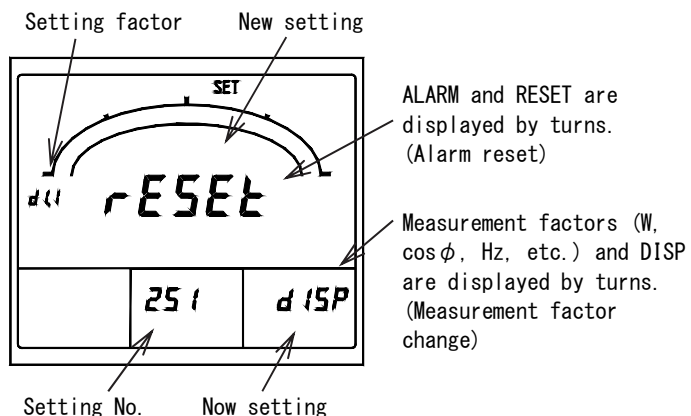
(4) 251~252 External operation input setting **【With an external operation input option】**
 Various setting of external operation input is performed.



- ◆ 251 External operation input 1 function, 252 External operation input 2 function

The function of each external operation input (alarm reset, maximum / minimum reset, measurement factor change, phase change) can be selected.

Selection by **[+]** and **[-]**, set value is updated by **[SET]**.

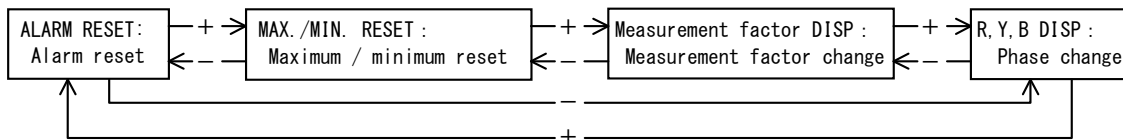


Default setting (With an alarm-output option)

- Alarm reset (External operation input 1)
- Maximum / minimum reset (External operation input 2)

Default setting (With no alarm-output option)

- Maximum / minimum reset (External operation input 1)
- Measurement factor change (External operation input 2)



• About the setting display in an external operation input function

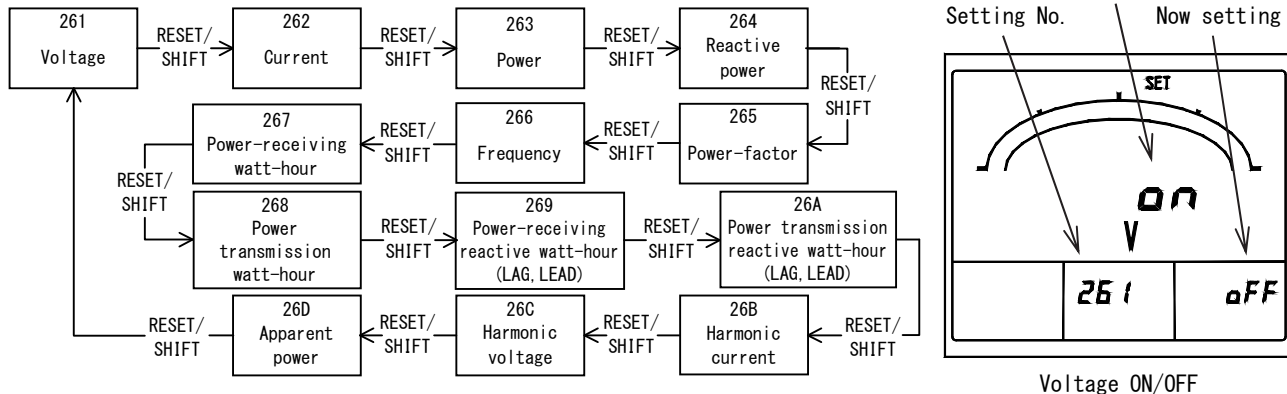
Function	The contents of a display at the case of function setting	"Now setting" display point	"New setting" display point
Alarm reset	"ALARM" and "RESET" are displayed by turns by 7 segment displays of the main monitor.	Sub monitor (right)	Main monitor
Maximum / minimum reset	"RESET" is displayed by 7 segment displays of the main monitor. And, "MAX" and "MIN" display by turns.		
Measurement factor change	"DISP" is displayed by 7 segment displays of the main monitor. And, each measurement factor (units of A, V, W, etc.) displays by turns.		
Phase change	"DISP" is displayed by 7 segment displays of the main monitor. And, each phase (R, Y, B, W) displays by turns.		

(5) 261~26D Measurement ON/OFF setting 【All models】

Measurement display ON/OFF setting of each measurement factor is performed.

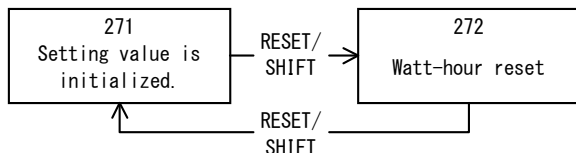
Selection by **[+]** and **[-]**, set value is updated by **[SET]**.

Default setting: ON (All measurement factors)



(6) 271~272 Initialization of watt-hour and setting value. 【All models】

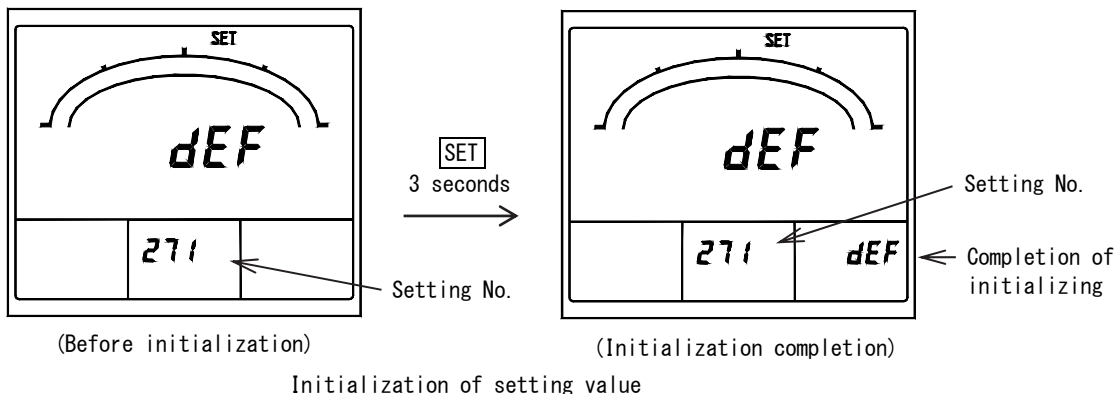
Package reset of watt-hour is performed. And, each set value is initialized (returns to default setting).



◆ 271 Initialization of setting value

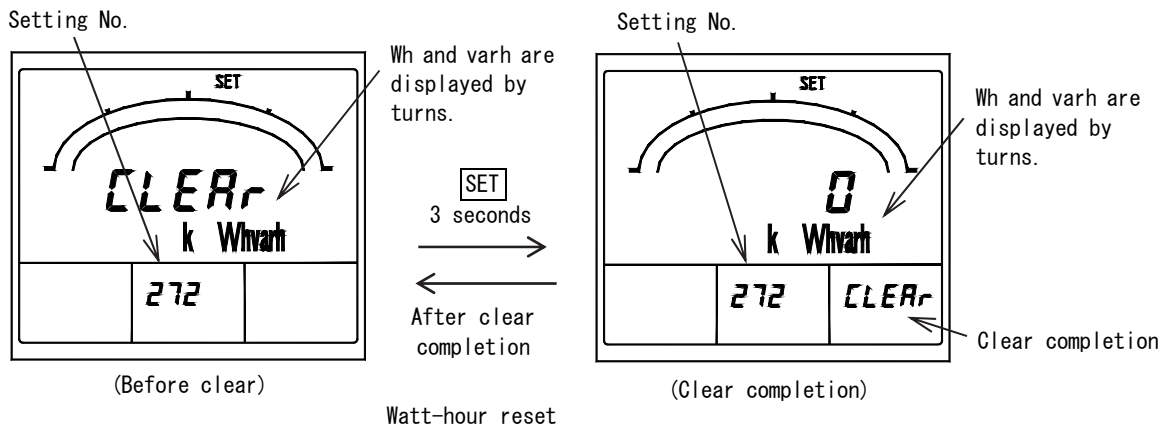
Each set value is initialized (returns to default setting).

Pushing **[SET]** for 3 seconds initializes all set values.

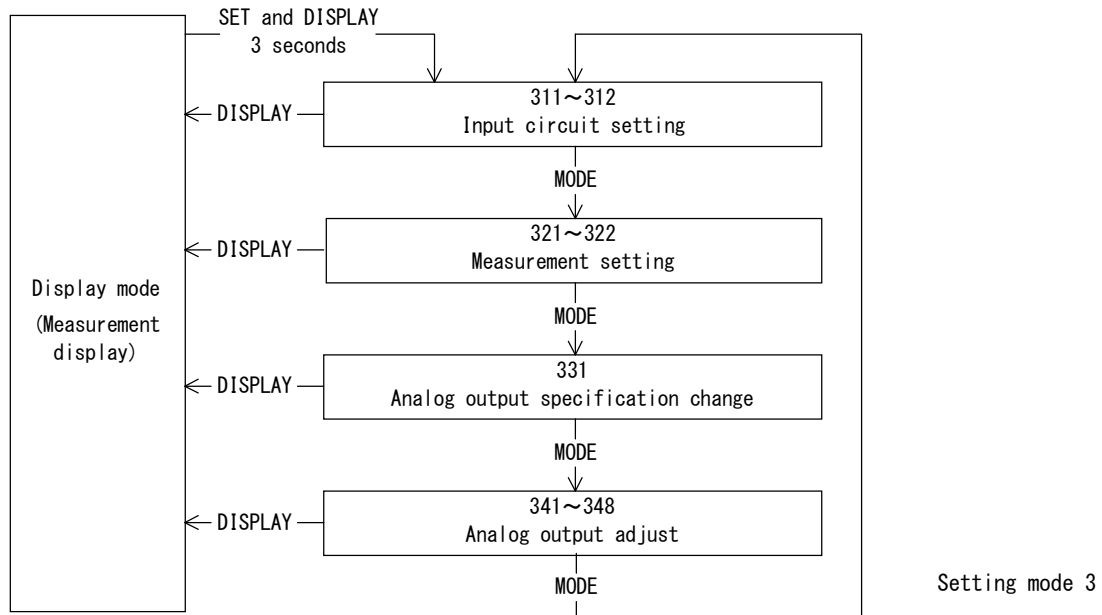


◆ 272 Watt-hour reset

Integrated value of each electric-energy display is cleared (=0). By pushing **[SET]** for 3 seconds, all integrated value (Wh, -Wh, var (LAG), -var (LAG), var (LEAD), var (LEAD)) is cleared by package.



5.3.3 Setting mode 3



Setting mode 3 is selected by pressing **SET** and **DISPLAY** switches continuously for longer than 3 seconds.

Pushing **MODE** switch performs movement of setting item.

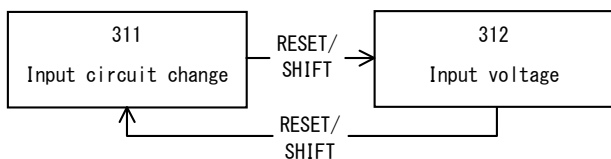
The present mode can be returned to the display mode by pressing **DISPLAY** switch.

< Caution >

If setting change should have been mistaken, a display and output of measurement are not obtained correctly. Therefore, users must not set. The setting item without the corresponding option is not displayed.

(1) 311~312 Input circuit setting 【Current input product is excluded. (However, an input-voltage setting is 110/ $\sqrt{3}$ V, 220/ $\sqrt{3}$ V common use products only.)】

Set the input circuit and input voltage.



◆ 311 Input circuit change

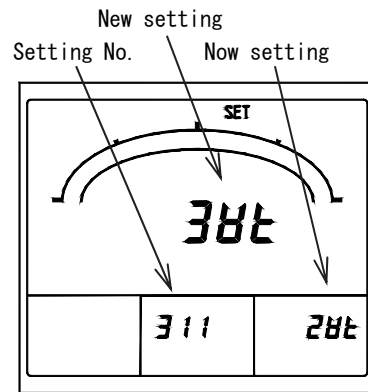
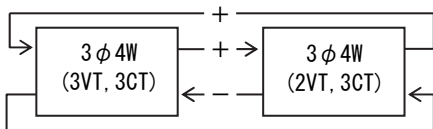
Set the input circuit.

Selection by $\boxed{+}$ and $\boxed{-}$, set value is updated by pushing \boxed{SET} for 3 seconds.

Default setting : 3 ϕ 4W (3VT, 3CT)

<Caution>

- When this setting is changed, it will become the default setting of the input circuit after all set values changing.
- The right measurement cannot be performed if setting of actual connection and phase wire are different.



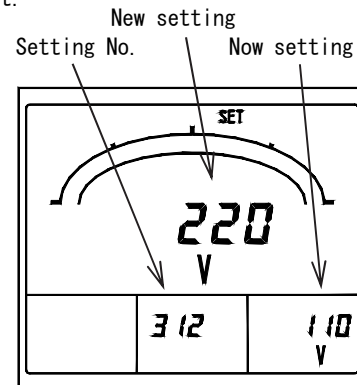
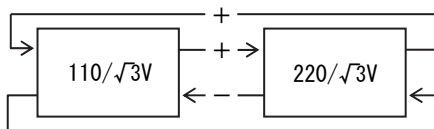
Input circuit change

◆ 312 Input voltage

Set the input voltage with rated voltage 110/ $\sqrt{3}$ V, 220/ $\sqrt{3}$ V common use product.

Selection by $\boxed{+}$ and $\boxed{-}$, set value is updated by \boxed{SET} .

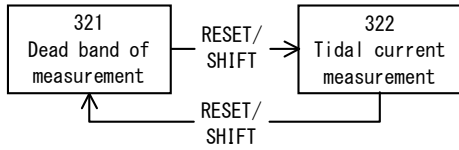
Default setting : 110/ $\sqrt{3}$ V (110/ $\sqrt{3}$ V product, no designation),
220/ $\sqrt{3}$ V (220/ $\sqrt{3}$ V product)



Input-voltage

(2) 321~322 Measurement setting [All models]

Set the dead band of measurement display, and with or without of tidal current measurement.



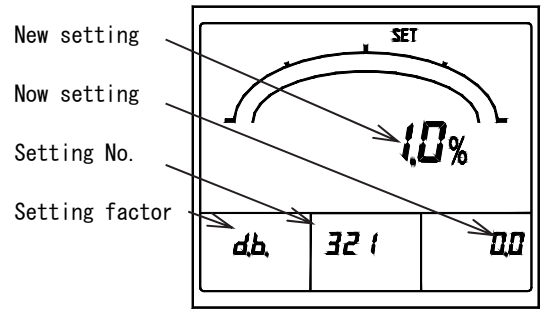
◆ 321 Measurement dead band

Set the dead band of measurement display. By this setting, variation of less than this set value is disregarded by voltage, current, active power, and reactive power measurement display.

Setting range: 0.0~2.0% (0.1% step)

Selection by $\boxed{+}$ and $\boxed{-}$, set value is updated by \boxed{SET} .

Default setting: 0.0% (Nothing)



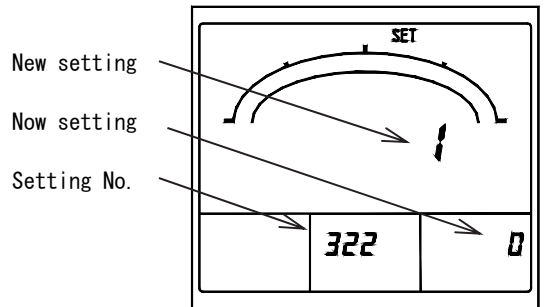
Dead band of measurement

◆ 322 Tidal current measurement

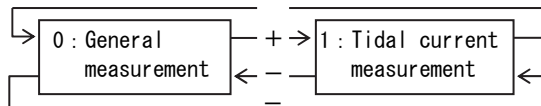
By measurement of reactive power and a power-factor, 0 (general measurement) or 1 (tidal current measurement which was conscious of power transmission/power receiving) can be selected.

Selection by $\boxed{+}$ and $\boxed{-}$, set value is updated by \boxed{SET} .

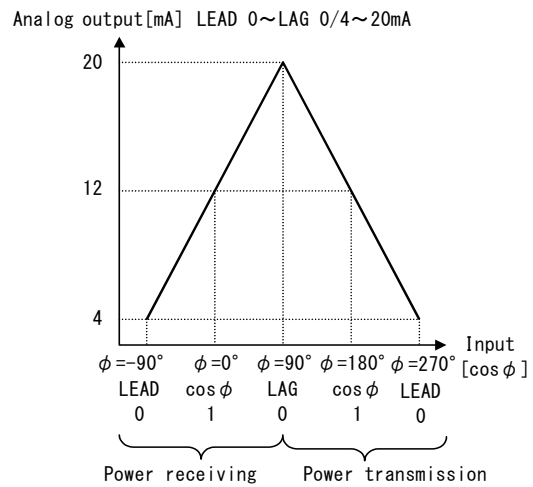
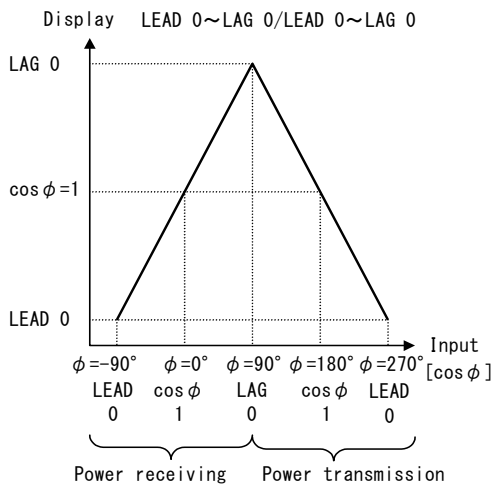
Default setting: 0 (General measurement)



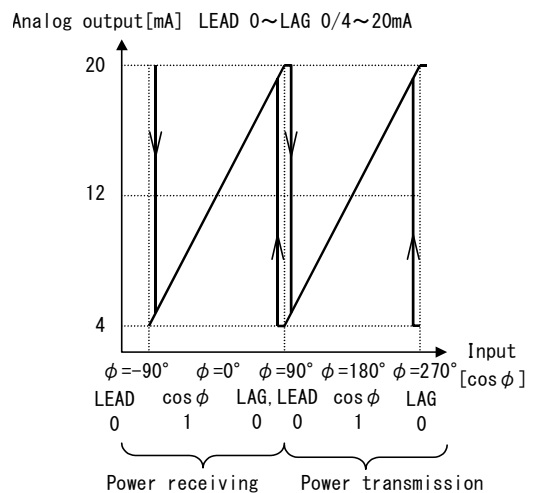
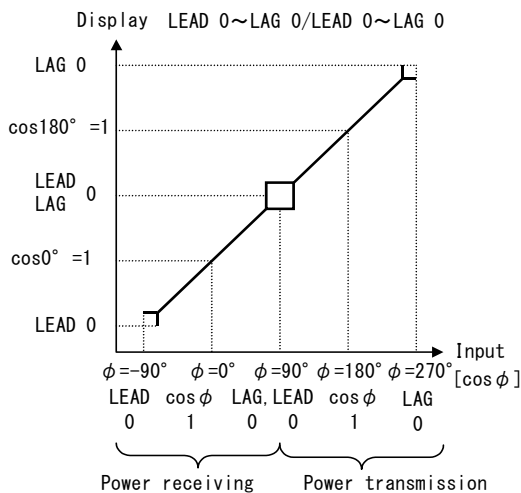
Tidal current measurement



(General measurement)



(Tidal current measurement)

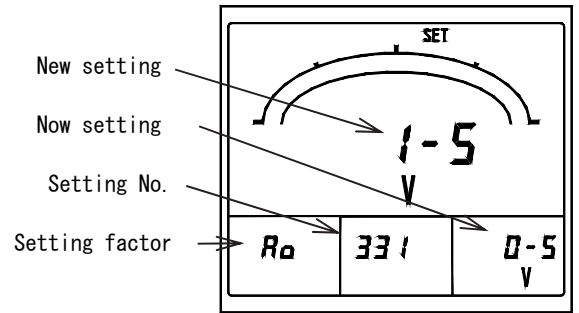
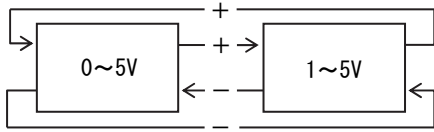


(3) 331 Analog output specification setting 【With analog output (DC0~5V or DC1~5V)】

Set the specification of analog output (DC0~5V/DC1~5V).

Selection by $\boxed{+}$ and $\boxed{-}$, set value is updated by $\boxed{\text{SET}}$.

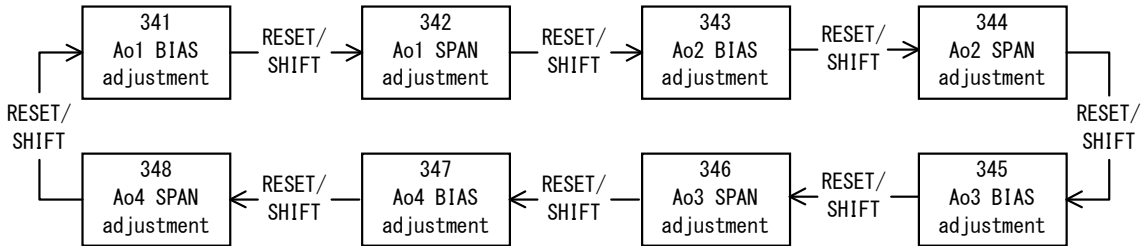
Default setting: DC1~5V or DC0~5V (Designation)



Analog output specification

(4) 341~348 Analog output adjustment 【With analog output】

The bias and span of each analog output are adjusted.



- ◆ 341 AO(Analog output)1 bias adjustment,
- 343 AO(Analog output)2 bias adjustment,
- 345 AO(Analog output)3 bias adjustment,
- 347 AO(Analog output)4 bias adjustment.

The bias of each analog output is adjusted.

Setting range: $\pm 10.0\%$ (0.1% step)

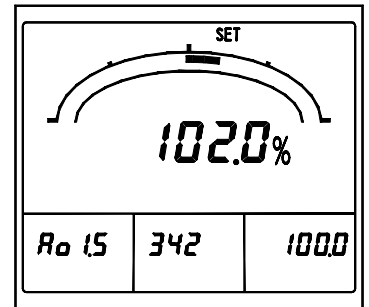
Selection by $\boxed{+}$ and $\boxed{-}$, set value is updated by $\boxed{\text{SET}}$.

- ◆ 342 AO(Analog output)1 span adjustment,
- 344 AO(Analog output)2 span adjustment,
- 346 AO(Analog output)3 span adjustment,
- 348 AO(Analog output)4 span adjustment.

The span of each analog output is adjusted.

Setting range: $\pm 10.0\%$ (0.1% step)

Selection by $\boxed{+}$ and $\boxed{-}$, set value is updated by $\boxed{\text{SET}}$.



Ao1 span adjustment

6. Specification

6.1 Specification and intrinsic error.

Input circuit	Input
3-phase 4-wire	AC110/ $\sqrt{3}$ V, 220/ $\sqrt{3}$ V common use AC 5A or AC 1A 50/60Hz Designation

Measurement item	Measurement range / Display specification		Current input	Voltage input	Intrinsic error ⁽²⁹⁾		Maximum measurement	Minimum measurement	Note
					Digital display	Analog output Pulse output ⁽³⁰⁾			
Voltage	AC150V~750.0kV (34 range)			○	±1.0%	±0.5%	○	○	RW-YW-BW-RY-YB-BR line change
Current	Maximum demand ⁽³⁴⁾ , Demand, Instant AC5.00A~30.0kA (76 range)		○		±1.0%	±0.5%	○	○	R-Y-B-W phase change Possible to set a range of indication and output apart from the CT ratio.
Active power	Maximum demand ⁽³⁴⁾ , Demand, Instant 480W~1000MW (Range select) In voltage and current range. One-side swing or both side swings can be setting.				±1.0%	±0.5%	○	○	Range of an analog output can be set as indication independently. ⁽³¹⁾
Apparent power	480VA~1000MVA In active power range.				±1.0%	±0.5%	○	○	It is the same scale as active power range. (Display, Output)
Reactive power	LEAD, LAG 360var~1000Mvar (Range select) In voltage and current range.				±1.0%	±0.5%	○	○	Range of an analog output can be set as indication independently. ⁽³²⁾
Power factor	LEAD 0.500~1.000~LAG 0.500 or LEAD 0.000~1.000~LAG 0.000 Range select				±2.0%	±2.0%	○	○	In case input is below 20% of voltage range or below 2% of current range : $\cos\phi=1$. (Output is $\cos\phi=1$ equivalence)
Frequency	45~55Hz or 55~65Hz or 45~65Hz Range select			○	±0.5%	±0.5%	○	○	0.0Hz in case input is below 20% of voltage range. Output is a lower limit value. (Lower limit value -1% : % for output span)
Distortion factor	Voltage	0.0~20.0% (Second to 15th harmonic) RW-YW-BW ⁽³³⁾		○	±1.0%	±2.5%	○		Digital display is % to 100% of distortion factors.
	Current	0.0~100.0% (Second to 15th harmonic) R-Y-B	○		±2.5%	±2.5%	○		
Harmonic nth effective value	Voltage	AC150V~750.0kV (34 range) n=3, 4, 5, 7, 9, 11, 13, 15 RW-YW-BW ⁽³³⁾		○	±1.5%	±1.5%	○		Digital display is % to a voltage range.
Fundamental-wave effective value	Current	AC5.00A~30.0kA (76 range) n=3, 4, 5, 7, 9, 11, 13, 15 R-Y-B	○		±1.5%	±1.5%	○		Digital display is % to a current range.

Measurement item	Measurement range / Display specification		Current input	Voltage input	Intrinsic error ⁽²⁹⁾		Maximum measurement	Minimum measurement	Note
					Digital display	Analog output Pulse output ⁽³⁰⁾			
Harmonic nth content	Voltage	0.0~20.0% n=3, 4, 5, 7, 9, 11, 13, 15 RW-YW-BW ⁽³³⁾		○	±1.0%	±2.5%	○		Digital display is % to 100% of content.
	Current	0.0~100.0% n=3, 4, 5, 7, 9, 11, 13, 15 R-Y-B	○		±2.5%	±2.5%	○		
Harmonic 5th conversion effective value	Voltage	AC150V~750.0kV (34 range) RW-YW-BW ⁽³³⁾		○	±1.5%	±1.5%	○		Digital display is % to a voltage range.
	Current	AC5.00A~30.0kA (76 range) R-Y-B	○		±1.5%	±1.5%	○		Digital display is % to a current range.
Harmonic 5th conversion content	Voltage	0.0~20.0% RW-YW-BW ⁽³³⁾		○	±1.0%	±2.5%	○		Digital display is % to 100% of content.
	Current	0.0~100.0% R-Y-B	○		±2.5%	±2.5%	○		
Watt-hour	Display : Integer, 5 digit. Multiplier : Integral number times of 10. Possible to indicate it to 3 decimal place. Electric power is integrated. (Power receiving, Power transmission)				Power factor 1 : ±2.0%	Power factor 1 : ±2.0%			Conformity with normal watt-hour meter. Setting range of pulse output unit (kWh/pulse) is referred to option-specification.
var-hour	Display : Integer, 5 digit. Multiplier : Integral number times of 10. Possible to indicate it to 3 decimal place. Integrating reactive power of power receiving. (LAG·LEAD) Integrating reactive power of power transmission. (LAG·LEAD)				Power factor 0 : ±2.5%	Power factor 0 : ±2.5%			Setting range of pulse output unit (kvarh/pulse) is referred to option-specification.

Note ⁽²⁹⁾ If this unit directly measures an inverter output of cycle control, SCR phase angle control or PWM, an error may increase due to its operation principle.

As for harmonic 5th conversion effective value and nth harmonic effective value, a display will be zero by 0.2% or less of the measurement range. And, analog output constitutes lower limit output. At this time, a distortion factor, harmonic 5th conversion content rate, and nth harmonic content also become 0% (analog output is lower limit output). As for a distortion factor, harmonic 5th conversion effective value / content, and nth harmonic effective value / content, fundamental-wave effective value constitutes zero by 3% or less of the measurement range.

Note ⁽³⁰⁾ Analog output and pulse output are options.

Analog output of harmonic distortion factor and harmonic content : It becomes an upper limit output from a lower limit output, for current 0~100% and voltage 0~20%.

Note ⁽³¹⁾ At the case of one side swing setting of bar graph. Digital meter measures reverse power to -15% full scale. (Instantaneous power)

Note ⁽³²⁾ Active power, reactive power, apparent power display digit.

A full scale display is below 4000 : 4 digits display. A full scale display is 4000 or more : 3 digits display.

Example) 4800kW → 4.80MW

40kvar → 40.0kvar

20kVA → 20.00kVA

Please refer to an appendix table for details.

Note ⁽³³⁾ 3VT products is RW-YW-BW. 2VT product is RW-BW.

Note ⁽³⁴⁾ The maximum value (maximum demand current, others) and the minimum value can be checked in the maximum and minimum measurement mode.

Item	Specification	
Bar graph display	Bar graph display of the main-monitor factor is done. (Watt-hour and var-hour exclude) A display of a submonitor factor can also be set.	
Operating method	Current, Voltage : Effective value computing type. Demand ammeter : Arithmetic method according with bimetallic type. Demand active power meter : Arithmetic method according with bimetallic type, or average value within the demand time limit. (One side is selected by setting.) Active power, Reactive power, Watt-hour, var-hour : Time-division multiplication method. Apparent power : Calculates from current and voltage. Power factor : Average value within instant measurement or the demand time limit. (One side is selected by setting.) Calculates for active power and reactive power. Frequency : Zero cross cycle computing type. Harmonic : FFT computing type.	
Interval setting	Demand current	0 second / 5 seconds / 10 seconds / 20 seconds / 30 seconds / 40 seconds / 50 seconds / 1 minute / 2 minutes / 3 minutes / 4 minutes / 5 minutes / 6 minutes / 7 minutes
	Demand active power	/ 8 minutes / 9 minutes / 10 minutes / 15 minutes / 20 minutes / 25 minutes / 30 minutes (95% time limit)
	Harmonic measurement	Average time limit: 0 minute / 1 minute / 2 minutes / 5 minutes / 10 minutes / 15 minutes / 30 minutes Average measurement.
The factor in which display setting is possible	Main monitor	Voltage (RW-YW-BW-RY-YB-BR), Current (R-Y-B-W), Demand current (R-Y-B-W), Active power, Demand active power, Reactive power, Apparent power, Power factor, Frequency, Watt-hour (Power receiving, Power transmission), var-hour (Power receiving LAG/LEAD, Power transmission LAG/LEAD), Distortion factor (A, V)
	Sub monitor (Left)	Voltage (RW-YW-BW-RY-YB-BR), Current (R-Y-B-W), Active power, Reactive power, Power factor
	Sub monitor (Center)	Voltage (RW-YW-BW-RY-YB-BR), Current (R-Y-B-W), Demand current (R-Y-B-W), Active power, Demand active power, Reactive power, var-hour (Power receiving LAG/LEAD, Power transmission LAG/LEAD), Harmonic 5th conversion content (A, V), Harmonic nth content (A, V)
	Sub monitor (Right)	Voltage (RW-YW-BW-RY-YB-BR), Current (R-Y-B-W), Demand current (R-Y-B-W), Active power, Demand active power, Power factor, Frequency, Watt-hour (Power receiving, Power transmission), Fundamental-wave effective value (A, V), Harmonic 5th conversion content (A, V), Harmonic nth effective value (A, V)
	Bar graph	Voltage (RW-YW-BW-RY-YB-BR), Current (R-Y-B-W), Demand current (R-Y-B-W), Active power, Demand active power, Reactive power, Apparent power, Power factor, Frequency, Distortion factor (A, V), Harmonic 5th conversion content (A, V), Harmonic nth content (A, V), Fundamental-wave effective value (A, V), Harmonic 5th conversion effective value (A, V), Harmonic nth effective value (A, V)
Option	Analog output (4 sets) Contact output (2 sets. Select of pulse output or alarm output or CPU error output.) External operation change input (2 sets)	

● About active power and apparent power and reactive power full scale range selection

The active power range (apparent power range) and reactive power range is automatically decided in a current range and voltage range. The full scale range of a bar graph can be selected out of the following values within a 40~115% (range of active power and apparent power) and 30~115% (range of reactive power), assuming that the rated power (VT ratio × CT ratio)⁽³⁵⁾ is 100%.

1. 0/1. 2/1. 4/1. 5/1. 6/1. 8/2. 0/2. 4/2. 5/2. 8/3. 0/3. 2/3. 6/4. 0/4. 2/4. 5/4. 8/5. 0/5. 6/6. 0/6. 4/7. 2/7. 5/8. 0/8. 4/9. 0/9. 6×10^n

Example) In case of VT ratio × CT ratio = 1200kW

A full scale range can be selected from the following.

480/500/560/600/640/720/750/800/840/900/960/1000/1200

Note ⁽³⁵⁾ VT ratio should calculate as "2" at the case of 220/√3V rating.

Calculate as CT ratio is CT ratio ÷ 5 in case of 1A input specifications.

● Measurement is possible range.

Measurement factor		Input ⁽³⁶⁾	Measurement is possible range		Remarks	
			Display	Analog output		
Phase voltage		AC0~150/ $\sqrt{3}$ V [AC0~300/ $\sqrt{3}$ V]	101% of meter full scale / $\sqrt{3}$.	101% of output span / $\sqrt{3}$.		
Line voltage		AC0~150V [AC0~300V]	101% of meter full scale.	101% of output span.		
Current		AC0~5A (AC0~1A)	120% of input rating.	120% of output span.	Instant, Demand	
Active power		0~1kW (0~200W) [0~2kW (0~400W)]	120% of input rating.	-1% and 120% of output span,	Instant, Demand	
Reactive power		LEAD 1~0~LAG 1kvar (LEAD 200~0~LAG 200var) [LEAD 2~0~LAG 2kvar (LEAD 400~0~LAG 400var)]	120% of input rating.	-1% and 120% of output span,		
Apparent power		0~1kVA (0~200VA) [0~2kVA (0~400VA)]	120% of input rating.	-1% and 120% of output span,		
Power factor		LEAD 0~1~LAG 0	LEAD 0.000~1 ~LAG 0.000	0% and 100% of output span,		
		LEAD 0.5~1~LAG 0.5	LEAD 0.490~1 ~LAG 0.490	-1% and 101% of output span,		
Frequency		45~55Hz	44.9~55.1Hz	-1% and 101% of output span,		
		55~65Hz	54.9~65.1Hz			
		45~65Hz	44.8~65.2Hz			
Harmonic	Effective value	Current	AC0~5A (AC0~1A)	120% of input rating	120% of output span	
		Voltage	AC0~150/ $\sqrt{3}$ V [AC0~300/ $\sqrt{3}$ V]	101% of meter full scale	101% of output span	
	Rate of content	Current	0~100% (% to input rating)	200% of input rating	120% of output span	
		Voltage	0~20% (% to meter full scale)	100% of meter full scale	120% of output span	

Note ⁽³⁶⁾ [] is the 300V input case. () is the 1A input case.

6.2 Specification, Performance.

Item	Specification		
Accuracy	Reference to measure specification and accuracy		
Accuracy of bar graph	$\pm 10\%$ (% for span)		
Influence by temperature	$23 \pm 10^\circ\text{C}$ within accuracy.		
Conformity technical standard	JIS C 1102-1 : 1997 [IEC60051-1 1984 , Amendment 1(1994), Amendment 2(1995)] JIS C 1102-2 : 1997 [IEC60051-2 1984] JIS C 1102-3 : 1997 [IEC60051-3 1984 , Amendment 1(1994)] JIS C 1102-4 : 1997 [IEC60051-4 1984] JIS C 1102-5 : 1997 [IEC60051-5 1985] JIS C 1102-7 : 1997 [IEC60051-7 1984] JIS C 1111 : 1989 JIS C 1216 : 1995 JIS C 1263 : 1995		
CE compliant directive	Electro-magnetic compatibility directive (EMC directive) 2004/108/EC Low voltage directive (LVD) 73/23/EEC		
Safety	JIS C 1010-1 : 2005 (IEC 61010-1 : 2001) Measurement category III (The category to the measurement performed with fabric equipment) Maximum use voltage, 300V Degree of contamination, 2 (Usually, the grade which only contamination of non-conductivity causes. However, temporary conductivity, which originates in dew condensation depending on the case occurs.)		
Display updating time	About 1 second (Bar graph : 0.25 seconds) (Harmonic measurement : Digital and bar graph is 10 seconds or less.)		
Display device Display composition	LCD	Main monitor	5 digit, character height 11mm
		Sub monitor (Left)	4 digit, character height 6mm
		Sub monitor (Center), (Right)	5 digit, character height 6mm
		Bar graph	20 dots
LCD view angle	Standard	For upper installation (For lower view)	Upper view angle 10° , Lower view angle 60° , Right and left view angle 60°
	Special	For lower installation (For upper view)	Upper view angle 60° , Lower view angle 10° , Right and left view angle 60°
Backlight	LED backlight : Green or White Always-on, Auto off (after 5 minutes without operating), Always-off. Setting is possible. White can select brightness from five steps of 1 to 5.		
Auxiliary supply	(1) AC85~264V 50/60Hz 10VA (Rated voltage, AC100/110V, 200/220V) DC80~143V 6W (Rated voltage, DC100/110V) for both AC and DC uses (2) DC20~56V 6W (Rated voltage, DC24/48V)		
Rush current (Time constant)	Rated voltage AC110V 2.2A or less (About 3.6ms)		
	Rated voltage AC220V 4.4A or less (About 3.6ms)		
	Rated voltage DC110V 1.6A or less (About 3.6ms)		
	Rated voltage DC24V 5.0A or less (About 2.0ms)		
	Rated voltage DC48V 9.9A or less (About 2.0ms)		
Input consumption VA	Voltage circuit	0.05VA or less ($110/\sqrt{3}\text{V}$) , 0.1VA or less ($220/\sqrt{3}\text{V}$)	
	Current circuit	0.1VA or less (5A, 1A)	
Overload capacity	Voltage circuit	2 times 10 seconds, 1.2 times continuation of rated voltage.	
	Current circuit	40 times 1 second, 20 times 4 seconds, 10 times 16 seconds, 1.2 times continuation of rated current.	
	Auxiliary supply	1.5 times 10 seconds, 1.2 times continuation of rated voltage. In case of DC110V, 1.5 times 10 seconds, 1.3 times continuation of rated voltage.	
Insulation resistance JIS C 1102-1 JIS C 1111	Between electric circuits and case (Earth).		
	Between input and output and auxiliary supply.		
	Between analog output and pulse output and alarm output.		
	Between pulse outputs.		
	Between alarm outputs.		
Between analog outputs are not insulation of minus common.			

Item	Specification	
Withstand voltage JIS C 1102-1 JIS C 1111	Between electric circuits and case (Earth).	AC2000V (50/60Hz) 1 minute
	Between input and output and auxiliary supply.	
	Between analog output and pulse output and alarm output.	AC1500V (50/60Hz) 1 minute
	Between pulse outputs.	
	Between alarm outputs.	
	Between analog outputs are not insulation of minus common.	
Impulse withstand voltage JIS C 1111	Between electric circuits and case (Earth). (An analog output is excluded)	6kV 1.2/50 μ s Positive and negative polarities, for each 3 time.
	Between analog output and case (Earth).	5kV 1.2/50 μ s Positive and negative polarities, for each 3 time.
Noise-capacity ANSI C37.90a JEA B-402 IEC801-2	<p>(1) Oscillatory surge voltage If a vibration damping waveform (1~1.5MHz, Peak voltage : 2.5~3kV) is repeated and added, a measurement error should be within 10%. And, there needs to be no malfunction. Voltage input circuit (Normal / Common), Current input circuit (Common) Auxiliary supply circuit (Normal / Common)</p> <p>(2) Square wave impulse noise If a noise (1μs, 100ns width) is repeated and added, a measurement error should be within 10%. And, there needs to be no malfunction. Auxiliary supply circuit (Normal / Common) Over 1500V Voltage input circuit (Normal / Common) Over 1500V Current input circuit (Common) Over 1500V Pulse output (Common) Over 1000V Alarm output (Common) Over 1000V Operation input (Common) Over 1000V Analog output circuit (Induction) Over 1000V</p> <p>(3) Electric wave noise If intermittence irradiation of the electric wave of a 150,400,900MHz band is done by (5W, 1m), a measurement error should be within 10%. And, there needs to be no malfunction.</p> <p>(4) Electrostatic noise It is within 10% of errors in 8kV electrostatic noise at the case of an energization. There needs to be no 10kV damage at the case of a non-energization. Condenser charge form.</p>	
Vibration JIS C 1102-1	About a measurement method, it is based on the next. JIS C 60068-2-6 : 1999 [IEC60068-2-6 : 1995] Vibration frequency range : 10~55Hz, Vibration amplitude : 0.15mm (Single-sided amplitude), It is one octave and is 5 times sweep.	
Shock JIS C 1102-1	About a measurement method, it is based on the next. JIS C 60068-2-27 : 1995 [IEC60068-2-27 : 1972] Peak acceleration : 490m/s ² , Count of shock : 3 shaft orientations right-angled to mutual, each 3 times for the direction of positive and negative. (Total 18 times)	
Construction	Dimension : 110mm(Width) × 110mm(Height) × 104mm(Depth) Body diameter : 99mm ϕ With terminal cover Case materials : ABS(V-0) Outward color : Black (Munsell N1.5) Mass : Approx. 600g	
Blackout guarantee	Maximum value, Minimum value, Integrates value and each setting value. Data hold by nonvolatile memory.	
Operation temperature and humidity ranges	-10 ~ +55°C, 30 ~ 85% RH, Non condensing.	
Storage temperature range	-25 ~ +70°C	
Installation altitude	The altitude of 2000m or less.	

6.3 Option

Item	Specification						
Analog output	Number of output	4 circuits					
	Output specification	DC4~20mA (Below 550Ω) DC0~1mA (Below 10kΩ) DC0~5V/1~5V (Over 600Ω) DC0~10V (Over 2kΩ) One of them is designated by identical ratings.					
	Output factor	Voltage (RW-YW-BW-RY-YB-BR), Current (R-Y-B-W), Demand current (R-Y-B-W), Active power, Demand active power, Reactive power, Apparent power, Power factor, Frequency, Distortion factor (A, V), Fundamental-wave effective value (Maximum value of each A/V phase), Harmonic 5th conversion content (Maximum value of each A/V phase), Harmonic 5th conversion effective value (Maximum value of each A/V phase), Harmonic nth content (Maximum value of each A/V phase), nth harmonic effective value (Maximum value of each A/V phase)					
	Response time	1 second or less (Time within ±1% of final constant value.) Harmonic measurement is 10 seconds or less.					
	Output ripple	Within the double precision of accuracy (% for output span)					
	Between analog outputs are not insulation of minus common.						
Pulse output (³⁸)	Possible output : Watt-hour or var-hour. Output form : Optical MOS-FET relay. 1a contact Contact capacity : AC, DC125V, 70mA (Resistance load, inductive load) Pulse width : 250±10ms (Output pulse width when the output pulse period of rated active power constitutes speed more than 2 pulse/second by setting of an voltage measurement range, a current-measurement range, and an output pulse unit is set to 100~130ms.) Setting of output pulse unit is possible by the next range. ■ 3-phase 4-wire : Full load power (kW, kvar) = $\sqrt{3} \times \text{Rated voltage (V)} \times \text{Rated current (A)} \times 10^{-3}$						
	Full load power (kW, kvar)		Output pulse unit. kWh(kvarh)/pulse			Multiplying factor	
	Below 1		0.1	0.01	0.001	0.0001	0.01 (³⁷)
	Over 1	Below 10	1	0.1	0.01	0.001	0.1
	Over 10	Below 100	10	1	0.1	0.01	1
	Over 100	Below 1,000	100	10	1	0.1	10
	Over 1,000	Below 10,000	1,000	100	10	1	100
	Over 10,000	Below 100,000	10,000	1,000	100	10	1,000
Over 100,000	Below 1,000,000	100,000	10,000	1,000	100	10,000	

Note (³⁷) Although multiplying factor is 0.01, a multiplying factor display will be 0.1.

(The place by the integer is 4 digits display. An enlarged display is 4 digits below decimal point.)

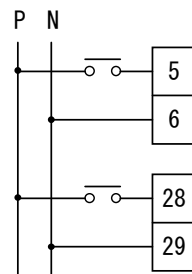
Note (³⁸) 2 outputs combination is possible, for pulse output and alarm output and CPU error output.

(CPU error output is 1 point only)

Item	Specification			
Alarm output (³⁹)	Alarm factor : Demand current, Demand active power, harmonic 5th conversion content, Harmonic nth content, Distortion factor, Voltage, Alarm OFF. Possible to setting one of them. Reset form : Automatic reset or Manual reset (Setting) Output contact : No-voltage a contact (OR of each phase detection) Contact capacity : AC250V 8A, DC125V 0.3A (Resistance load) AC250V 2A, DC125V 0.1A (Inductive load)			
	Alarm factor	Item	Specification	
	Demand current, Demand active power	Function	Demand measurement value \geq Upper limit setting value, Alarm display, Alarm output.	
		Setting accuracy	$\pm 1.0\%$ (% for full scale)	
		Setting range	5~100% to the maximum scale. (1% step)	
	Harmonic 5th conversion content	Function	Measurement value \geq Upper limit setting value, Alarm display, Alarm output. (Detects by the maximum phase)	
		Setting accuracy	Current : $\pm 2.5\%$, Voltage : $\pm 1.0\%$, % to 100% of content rate.	
	Harmonic nth content	Setting range	Current	Harmonic 5th conversion content, Harmonic nth content (n=3, 4, 5, 7, 9, 11, 13, 15), Distortion factor 5~100% (1% step)
			Voltage	Harmonic 5th conversion content, Harmonic nth content (n=3, 4, 5, 7, 9, 11, 13, 15), Distortion factor 1.0~20.0% (0.1% step)
	Distortion factor	Detection characteristics	Average value mode : It will detect, if a par measurement value becomes beyond the above setting. Inverse-time-delay mode : It detects in the inverse-time-delay characteristics of instantaneous value (only a harmonic 5th conversion content is possible).	
	Voltage	Function	Measurement value \geq Upper limit setting value, Alarm display, Alarm output. (Detects by the maximum phase) Measurement value \leq Lower limit setting value, Alarm display, Alarm output. (Detects by the minimum phase)	
		Setting accuracy	$\pm 1.0\%$ (% for the value which set a full scale 150%)	
		Setting range	Using a full scale as 150%. 30~150% (1% step)	
CPU error output (³⁹)	Detection item (Self-diagnostics item)		Contact composition	
	(1) Watchdog timer (Inside, outside) (2) RAM check error (3) A/D-conversion error At the case of error detection and not applying for auxiliary supply, an output is ON. It becomes OR output of a detection item.		b contact	
External operation input	Contact capacity		AC250V 5A, DC125V 0.2A (Resistance load) AC250V 1.5A, DC125V 0.1A (Inductive load)	
	Number of circuits	2 circuits, A function (four types) is changed by setting.		
	Function	Four types of following functions can be operated by adding a voltage signal from the outside in addition to switch operation.		
	Alarm reset	Alarm output is reset (output OFF).		
	Maximum / Minimum value reset	The maximum/minimum value is reset (it updates to the instantaneous value at the time).		
	Measurement factor change	The measurement display element of the main monitoring is changed.		
	Phase change	A phase/lines display of all the current/voltage currently displayed is changed.		
Minimum operation pulse width	300ms , Continuation applying is possible.			
Rated input	Input rating becomes the same as that of auxiliary supply. (1) AC100/110V 0.4VA, AC200/220V 1.4VA, DC100/110V 0.4W AC DC two ways. Contact capacity : About 3mA (AC, DC100/110V) , About 6mA (AC200/220V) (2) DC24V 0.3W, DC48V 1.2W Contact capacity : About 10mA (DC24V) , About 20mA (DC48V)			

Note (³⁹) 2 outputs combination is possible, for pulse output and alarm output and CPU error output.
(CPU error output is 1 point only)

- Caution on the use of external display selection input (option)
 External power consumption is 0.4VA at AC110V or 1.4VA at AC220V or 0.4W at DC110V.
 In case a relay or a switch is used for power-supply supply, please use the thing of about 1mA of the minimum application loads.



6.4 CE marking

(1) Conformity technical standard

- EMC conformity technical standard
 EMI (Emission) EN61000-6-4
 EMS (Immunity) EN61000-6-2
- Safety technical standard
 EN61010-1 CAT III (Maximum circuit voltage, 300V), Pollution degree 2

(2) Specification according to EMC test item

EMC test item				Limits	Conformity technical standard	
EMI	Electromagnetic radiation disturbance	30 ~ 230MHz	Quasi-peak 10m distance	40dB (μV/m)	EN61000-6-4 : 2001 EN55011 : 1998 classA, Group1	
		230 ~ 1000MHz	Quasi-peak 10m distance	47dB (μV/m)		
EMS	Electrostatic discharge	Contact discharge ±4kV (Charge voltage)		After test : Performance is satisfied.	EN61000-6-2 : 2005 EN61000-4-2 : 1995	
		Air discharge ±8kV (Charge voltage)				
	Radio-frequency amplitude modulated electromagnetic field	80 ~ 1000MHz	10V/m, 80% AM(1kHz)		During test : Measurement error ±20% After test : Performance is satisfied.	EN61000-6-2 : 2005 EN61000-4-3 : 2006
		1.4 ~ 2.0GHz	3V/m, 80% AM(1kHz)			
		2.0 ~ 2.7GHz	1V/m, 80% AM(1kHz)			
	Fast transients	Power port : Line to earth ±2.0kV		After test : Performance is satisfied.	EN61000-6-2 : 2005 EN61000-4-4 : 2004	
		Signal port : Line to earth ±1.0kV				
	Surge	Power port : Line to line ±0.5kV Line to earth ±0.5kV		After test : Performance is satisfied.	EN61000-6-2 : 2005 EN61000-4-5 : 2006	
Signal port : Line to earth ±1.0kV						
Radio-frequency common mode	0.15 ~ 80MHz	10V, 80% AM(1kHz)		During test : Measurement error ±20% After test : Performance is satisfied.	EN61000-6-2 : 2005 EN61000-4-6 : 1996	
Power-frequency magnetic field	50/60Hz	30A/m		During test : Measurement error ±20% After test : Performance is satisfied.	EN61000-6-2 : 2005 EN61000-4-8 : 1993	
Voltage dip and instantaneous power failure	Voltage dip % residual voltage	0% : 1 cycle		After test : Performance is satisfied.	EN-61000-6-2 : 2005 EN-61000-4-11 : 2004	
		40% : 10/12 cycle		After test : Performance is satisfied. (Function loss to a first order is allowable, and thing which can do self-recovery.)		
		70% : 25/30 cycle				
	Instantaneous power failure % residual voltage	0% : 250/300 cycle		After test : Performance is satisfied. (Function loss to a first order is allowable, and thing which can do self-recovery.)		

7. Maintenance and check

7.1 Trouble shooting

Symptoms	Possible causes	Remedial measures
It does not display.	The power supply is not supplied. (Not connected. or voltage is low)	Check the auxiliary supply. Again, a power supply is supplied.
	Measurement display ON/OFF setting is set to OFF.	Setting check.
	Trouble of device.	Replace the device.
Measuring value error is noticeable	Range is not set correctly.	Please set again.
	Out of range in rated frequency (45~65Hz).	It cannot be used.
	Cycle control, SCR phase angle control, PWM, or other inverter output is measured.	It cannot be used.
Analog output is not outputted.	Analog output is set to OFF or measurement factor is set to OFF.	Please check a setting
Pulse output is not outputted.	Pulse output is set to OFF or measurement factor is set to OFF.	Please check a setting
Alarm output does not return.	The return method is a "manual reset".	Please check a setting

7.2 Check

Be careful with the following items periodically.

- (1) Check if the measuring values, scale digits, units, etc. are displayed correctly.
- (2) Check if LCD is free of a color change, breakage of case, or other defects.
- (3) Check the unit for loose wiring and loose mounting screws.
- (4) Please remove, if dust has adhered to the product.

7.3 Maintenance

- (1) Please do not make a wiring change of the input and auxiliary supply in an energization.
- (2) In case you check an output in an energization, please warn to be unable to touch output wiring and a human body to an input and an auxiliary supply terminal. (Please do not short-circuit a voltage output.)
- (3) Please check a connection diagram, in case you check the voltage of input, output, and auxiliary supply.
- (4) If a name-plate is wiped with solvents (an alcoholic nature), a display item may disappear. Please wipe off with the dry cloth.

7.4 Test

In case this product is tested, a special setting or operation is not needed fundamentally. However, the following test should operate it along with each process.

(1) Alarm-output test

Even if this product does not have input, it can perform ON/OFF test of an alarm output (relay-contact output). Operation is performed by alarm 1 test and alarm 2 test in the setting mode 1. Please refer to "5.3.1 Setting mode 1 (2) alarm-output setup" about the details of operation.

< Operating process >

- Alarm 1 test (Setting No. 124)

Press **SET** for 3 seconds → Press **MODE** → Press **RESET/SHIFT** for 3 times → While pushing **SET**, the alarm 1 output is ON.

- Alarm 2 test (Setting No. 128)

Press **SET** for 3 seconds → Press **MODE** → Press **RESET/SHIFT** for 7 times → While pushing **SET**, the alarm 2 output is ON.

(2) Harmonic time-interval test

Please test by the following operation about the time interval of a harmonic. An error becomes large, in case it tests without performing the following operation.

Operation is performed with the average time interval in the setting mode 1.

Please refer to "5.3.1 setting mode 1 (4) harmonic detection setting" for operation details.

< Operating process > (Setting No. 14A)

Press **SET** for 3 seconds → Press **MODE** for 3 times → Press **RESET/SHIFT** for 9 times → Please press **SET** simultaneously with a test start.

Please press **DISPLAY** and return to a measurement screen.

7.5 Storage

- (1) Please avoid storage in the next space. Low temperature, high temperature, high humidity, and sunny place.
- (2) The aluminum electrolytic capacitor is used for a product. Please do the energization of the power supply within one year after shipment.

7.6 Countermeasures against troubles

As our principle, we recall product in question and repair it. If judged as product failure, have a contact with us or sales agent for repairing work (Also have a contact with us or sales agent for specification change).

Product failure which we are not responsible for (When responsibility in manufacturing process is not recognized, when product is disassembled/remodeled, in case of false operation by customer, etc.) is beyond our warranty.

Appendix table 1-1
Active power range, watt-hour multiplier rate table (3-phase 4-wire)

Multiplier rate	V range A range	750.0kV	500.0kV	375.0kV	300.0kV	255.0kV	210.0kV	180.0kV	150.0kV	105.0kV	90.0kV	45.0kV	30.0kV	Multiplier rate								
		(VT550000/110V) [W]	(VT380000/110V) [W]	(VT275000/110V) [W]	(VT220000/110V) [W]	(VT187000/110V) [W]	(VT154000/110V) [W]	(VT132000/110V) [W]	(VT110000/110V) [W]	(VT77000/110V) [W]	(VT66000/110V) [W]	(VT33000/110V) [W]	(VT22000/110V) [W]									
× 100	5A	5.00 M	3600 k (3455)	2500 k	2000 k	1800 k (1700)	1400 k	1200 k	1000 k	720 k (700)	600 k	300.0 k	200.0 k	× 10								
	6A	6.00 M	4.20 M (4.15)	3000 k	2400 k	2000 k (2040)	1800 k (1680)	1500 k (1440)	1200 k	900 k (840)	720 k	360.0 k	240.0 k		× 100							
	7.5A	7.50 M	5.60 M (5.18)	4.00 M (3.75)	3000 k	2500 k (2550)	2400 k (2100)	1800 k	1500 k	1200 k (1050)	900 k	450 k	300.0 k			× 1000						
	8A	8.00 M	5.60 M (5.53)	4.00 M	3200 k	3000 k (2720)	2400 k (2240)	2000 k (1920)	1600 k	1200 k (1120)	960 k	480 k	320.0 k				× 10000					
	10A	10.00 M	7.20 M (6.91)	5.00 M	4.00 M	3600 k (3400)	2800 k	2400 k	2000 k	1400 k	1200 k	600 k	400 k					× 100000				
	12A	12.00 M	8.40 M (8.29)	6.00 M	4.80 M	4.20 M (4.08)	3600 k (3360)	3000 k (2880)	2400 k	1800 k (1680)	1500 k (1440)	720 k	480 k						× 1000000			
	15A	15.00 M	10.00 M (10.36)	7.50 M	6.00 M	5.60 M (5.10)	4.20 M	3600 k	3000 k	2400 k (2100)	1800 k	900 k	600 k							× 10000000		
	20A	20.00 M	14.00 M (13.82)	10.00 M	8.00 M	7.20 M (6.80)	5.60 M	4.80 M	4.00 M	2800 k	2400 k	1200 k	800 k								× 100000000	
	25A	25.00 M	18.00 M (17.27)	14.00 M (12.50)	10.00 M	9.00 M (8.50)	7.20 M (7.00)	6.00 M	5.00 M	3600 k (3500)	3000 k	1500 k	1000 k									× 1000000000
	30A	30.00 M	20.00 M (20.73)	15.00 M	12.00 M	10.00 M (10.20)	8.40 M	7.20 M	6.00 M	4.20 M	3600 k	1800 k	1200 k									
40A	40.0 M	28.00 M (27.64)	20.00 M	16.00 M	14.00 M (13.60)	12.00 M (11.20)	9.60 M	8.00 M	5.60 M	4.80 M	2400 k	1600 k	× 100000000000									
50A	50.0 M	36.00 M (34.55)	25.00 M	20.00 M	18.00 M (17.00)	14.00 M	12.00 M	10.00 M	7.20 M (7.00)	6.00 M	3000 k	2000 k		× 1000000000000								
60A	60.0 M	42.0 M (41.5)	30.00 M	24.00 M	20.00 M (20.40)	18.00 M (16.80)	15.00 M (14.40)	12.00 M	8.40 M	7.20 M	3600 k	2400 k			× 10000000000000							
75A	75.0 M	56.0 M (51.8)	40.0 M (37.5)	30.00 M	28.00 M (25.50)	24.00 M (21.00)	18.00 M	15.00 M	12.00 M (10.50)	9.00 M	4.50 M	3000 k				× 100000000000000						
80A	80.0 M	56.0 M (55.3)	40.0 M	32.00 M	28.00 M (27.20)	24.00 M (22.40)	20.00 M (19.20)	16.00 M	12.00 M (11.20)	9.60 M	4.80 M	3200 k					× 1000000000000000					
100A	100.0 M	72.0 M (69.1)	50.0 M	40.0 M	36.00 M (34.00)	28.00 M	24.00 M	20.00 M	14.00 M	12.00 M	6.00 M	4.00 M						× 10000000000000000				
120A	120.0 M	84.0 M (82.9)	60.0 M	48.0 M	42.0 M (40.8)	36.00 M (33.60)	30.00 M (28.80)	24.00 M	18.00 M (16.80)	15.00 M (14.40)	7.20 M	4.80 M							× 100000000000000000			
150A	150.0 M	100.0 M (103.6)	75.0 M	60.0 M	56.0 M (51.0)	42.0 M	36.00 M	30.00 M	24.00 M (21.00)	18.00 M	9.00 M	6.00 M								× 1000000000000000000		
200A	200.0 M	140.0 M (138.2)	100.0 M	80.0 M	72.0 M (68.0)	56.0 M	48.0 M	40.0 M	28.00 M	24.00 M	12.00 M	8.00 M									× 10000000000000000000	
250A	250.0 M	180.0 M (172.7)	140.0 M (125.0)	100.0 M	90.0 M (85.0)	72.0 M (70.0)	60.0 M	50.0 M	36.00 M (35.00)	30.00 M	15.00 M	10.00 M										× 100000000000000000000
300A	300.0 M	200.0 M (207.3)	150.0 M	120.0 M	100.0 M (102.0)	84.0 M	72.0 M	60.0 M	42.0 M	36.00 M	18.00 M	12.00 M	× 1000000000000000000000									
400A	400 M	280.0 M (276.4)	200.0 M	160.0 M	140.0 M (136.0)	120.0 M (112.0)	96.0 M	80.0 M	56.0 M	48.0 M	24.00 M	16.00 M		× 10000000000000000000000								
500A	500 M	360.0 M (345.5)	250.0 M	200.0 M	180.0 M (170.0)	140.0 M	120.0 M	100.0 M	72.0 M (70.0)	60.0 M	30.00 M	20.00 M			× 100000000000000000000000							
600A	600 M	420 M (415)	300.0 M	240.0 M	200.0 M (204.0)	180.0 M (168.0)	150.0 M (144.0)	120.0 M	84.0 M	72.0 M	36.00 M	24.00 M				× 1000000000000000000000000						
750A	750 M	560 M (518)	400 M (375)	300.0 M	280.0 M (255.0)	240.0 M (210.0)	180.0 M	150.0 M	120.0 M (105.0)	90.0 M	45.0 M	30.00 M					× 10000000000000000000000000					
800A	800 M	560 M (553)	400 M	320.0 M	280.0 M (272.0)	240.0 M (224.0)	200.0 M (192.0)	160.0 M	120.0 M (112.0)	96.0 M	48.0 M	32.00 M						× 100000000000000000000000000				
900A	900 M	640 M (622)	450 M	360.0 M	320.0 M (306.0)	280.0 M (252.0)	240.0 M (216.0)	180.0 M	140.0 M (126.0)	120.0 M (108.0)	56.0 M (54.0)	36.00 M							× 1000000000000000000000000000			
1000A	1000 M	720 M (691)	500 M	400 M	360.0 M (340.0)	280.0 M	240.0 M	200.0 M	140.0 M	120.0 M	60.0 M	40.0 M								× 10000000000000000000000000000		
1200A		840 M (829)	600 M	480 M	420 M (408)	360.0 M (336.0)	300.0 M (288.0)	240.0 M	180.0 M (168.0)	150.0 M (144.0)	72.0 M	48.0 M									× 100000000000000000000000000000	
1500A			750 M	600 M	560 M (510)	420 M	360.0 M	300.0 M	240.0 M (210.0)	180.0 M	90.0 M	60.0 M										× 1000000000000000000000000000000
1600A			800 M	640 M	560 M (544)	450 M (448)	400 M (384)	320.0 M	240.0 M (224.0)	200.0 M (192.0)	96.0 M	64.0 M	× 10000000000000000000000000000000									
1800A			900 M	720 M	640 M (612)	450 M (504)	450 M (432)	360.0 M	280.0 M (252.0)	240.0 M (216.0)	120.0 M (108.0)	72.0 M		× 100000000000000000000000000000000								
2000A			1000 M	800 M	720 M (680)	560 M (680)	480 M	400 M	280.0 M	240.0 M	120.0 M	80.0 M			× 1000000000000000000000000000000000							
2500A				1000 M	900 M (850)	720 M (700)	600 M	500 M	360.0 M (350.0)	300.0 M	150.0 M	100.0 M				× 10000000000000000000000000000000000						
3000A						840 M	720 M	600 M	420 M	360.0 M	180.0 M	120.0 M					× 100000000000000000000000000000000000					
4000A							960 M	800 M	560 M	480 M	240.0 M	160.0 M						× 1000000000000000000000000000000000000				
5000A								1000 M	720 M (700)	600 M	300.0 M	200.0 M							× 10000000000000000000000000000000000000			
6000A									840 M	720 M	360.0 M	240.0 M								× 100000000000000000000000000000000000000		
7500A										900 M	450 M	300.0 M									× 1000000000000000000000000000000000000000	
8000A										960 M	480 M	320.0 M										× 100
9000A											560 M (540)	360.0 M	× 100									
10000A											600 M	400 M		× 1000								
12000A											720 M	480 M			× 1000							
15000A											900 M	600 M				× 1000						
20000A												800 M					× 1000					
30000A																		× 1000				

<Note 1>

Parenthesis is primary active power (apparent power, reactive power) value in /1kW(1kVA, 1kvar). In the blank, setting is impossible.
About active power and reactive power range.
Full scale display, less than 4000 : 4 digit. More than 4000 : 3 digit.
An example) 4800kW → 4.80MW
40kvar → 40.0kvar
20kVA → 20.00kVA

<Note 2>

In case the voltage range and the current range were set as [] of an upper table and an output pulse unit (a four-step setup is possible) is set as the fastest. The output pulse width of a pulse output is set to 100 ~130ms. (Usually 240~260ms)

Appendix table 1-2
Active power range, watt-hour multiplier rate table (3-phase 4-wire)

Multiplier rate	V range A range	25.00kV	24.00kV	18.00kV	18.00kV	15.00kV	9000V	4500V	3000V	2400V	1500V	1200V	600V	Multiplier rate
		(VT18400/110V) [W]	(VT16500/110V) [W]	(VT13800/110V) [W]	(VT13200/110V) [W]	(VT11000/110V) [W]	(VT6600/110V) [W]	(VT3300/110V) [W]	(VT2200/110V) [W]	(VT1650/110V) [W]	(VT1100/110V) [W]	(VT880/110V) [W]	(VT480/110V) [W]	
×10	5A	180.0 k (167)	150.0 k	140.0 k (125.5)	120.0 k	100.0 k	60.0 k	30.00 k	20.00 k	15.00 k	10.00 k	8.00 k	4.50 k (4.36)	×0.1
	6A	200.0 k (201)	180.0 k	160.0 k (150.5)	150.0 k (144.0)	120.0 k	72.0 k	36.00 k	24.00 k	18.00 k	12.00 k	9.60 k	5.60 k (5.24)	
	7.5A	280.0 k (251)	240.0 k (225.0)	200.0 k (188.2)	180.0 k	150.0 k	90.0 k	45.0 k	30.00 k	24.00 k (22.50)	15.00 k	12.00 k	7.20 k (6.55)	
	8A	280.0 k (268)	240.0 k	200.0 k (200.7)	200.0 k (192.0)	160.0 k	96.0 k	48.0 k	32.00 k	24.00 k	16.00 k	14.00 k (12.80)	7.20 k (6.98)	
	10A	360.0 k (335)	300.0 k	280.0 k (250.9)	240.0 k	200.0 k	120.0 k	60.0 k	40.0 k	30.00 k	20.00 k	16.00 k	9.00 k (8.73)	
	12A	420 k (401)	360.0 k	320.0 k (301.1)	300.0 k (288.0)	240.0 k	150.0 k (144.0)	72.0 k	48.0 k	36.00 k	24.00 k	20.00 k (19.20)	12.00 k (10.47)	
	15A	560 k (502)	450 k	400 k (376)	360.0 k	300.0 k	180.0 k	90.0 k	60.0 k	45.0 k	30.00 k	24.00 k	14.00 k (13.09)	
	20A	720 k (669)	600 k	560 k (502)	480 k	400 k	240.0 k	120.0 k	80.0 k	60.0 k	40.0 k	32.00 k	18.00 k (17.45)	
	25A	840 k (836)	750 k	640 k (627)	600 k	500 k	300.0 k	150.0 k	100.0 k	75.0 k	50.0 k	40.0 k	24.00 k (21.82)	
	×100	30A	1000 k (1004)	900 k	800 k (753)	720 k	600 k	360.0 k	180.0 k	120.0 k	90.0 k	60.0 k	48.0 k	
40A		1400 k (1338)	1200 k	1000 k (1004)	960 k	800 k	480 k	240.0 k	160.0 k	120.0 k	80.0 k	64.0 k	36.00 k (34.91)	
50A		1800 k (1673)	1500 k	1400 k (1255)	1200 k	1000 k	600 k	300.0 k	200.0 k	150.0 k	100.0 k	80.0 k	45.0 k (43.6)	
60A		2000 k (2007)	1800 k	1600 k (1505)	1500 k (1440)	1200 k	720 k	360.0 k	240.0 k	180.0 k	120.0 k	96.0 k	56.0 k (52.4)	
75A		2800 k (2509)	2400 k (2250)	2000 k (1882)	1800 k	1500 k	900 k	450 k	300.0 k	240.0 k (225.0)	150.0 k	120.0 k	72.0 k (65.5)	
80A		2800 k (2676)	2400 k	2000 k (2007)	2000 k (1920)	1600 k	960 k	480 k	320.0 k	240.0 k	160.0 k	140.0 k (128.0)	72.0 k (69.8)	
100A		3600 k (3345)	3000 k	2800 k (2509)	2400 k	2000 k	1200 k	600 k	400 k	300.0 k	200.0 k	160.0 k	90.0 k (87.3)	
120A		4.20 M (4.01)	3600 k	3200 k (3011)	3000 k (2880)	2400 k	1500 k (1440)	720 k	480 k	360.0 k	240.0 k	200.0 k (192.0)	120.0 k (104.7)	
150A		5.60 M (5.02)	4.50 M	4.00 M (3.76)	3600 k	3000 k	1800 k	900 k	600 k	450 k	300.0 k	240.0 k	140.0 k (130.9)	
200A		7.20 M (6.69)	6.00 M	5.60 M (5.02)	4.80 M	4.00 M	2400 k	1200 k	800 k	600 k	400 k	320.0 k	180.0 k (174.5)	
×1000	250A	8.40 M (8.36)	7.50 M	6.40 M (6.27)	6.00 M	5.00 M	3000 k	1500 k	1000 k	750 k	500 k	400 k	240.0 k (218.2)	×10
	300A	10.00 M (10.04)	9.00 M	8.00 M (7.53)	7.20 M	6.00 M	3600 k	1800 k	1200 k	900 k	600 k	480 k	280.0 k (261.8)	
	400A	14.00 M (13.38)	12.00 M	10.00 M (10.04)	9.60 M	8.00 M	4.80 M	2400 k	1600 k	1200 k	800 k	640 k	360.0 k (349.1)	
	500A	18.00 M (16.73)	15.00 M	14.00 M (12.55)	12.00 M	10.00 M	6.00 M	3000 k	2000 k	1500 k	1000 k	800 k	450 k (436)	
	600A	20.00 M (20.07)	18.00 M	16.00 M (15.05)	15.00 M (14.40)	12.00 M	7.20 M	3600 k	2400 k	1800 k	1200 k	960 k	560 k (524)	
	750A	28.00 M (25.09)	24.00 M (22.50)	20.00 M (18.82)	18.00 M	15.00 M	9.00 M	4.50 M	3000 k	2400 k (2250)	1500 k	1200 k	720 k (655)	
	800A	28.00 M (26.76)	24.00 M	20.00 M (20.07)	20.00 M (19.20)	16.00 M	9.60 M	4.80 M	3200 k	2400 k	1600 k	1400 k (1280)	720 k (698)	
	900A	32.00 M (30.11)	28.00 M (27.00)	24.00 M (22.58)	24.00 M (21.60)	18.00 M	12.00 M (10.80)	5.60 M (5.40)	3600 k	2800 k (2700)	1800 k	1500 k (1440)	900 k (785)	
	1000A	36.00 M (33.45)	30.00 M	28.00 M (25.09)	24.00 M	20.00 M	12.00 M	6.00 M	4.00 M	3000 k	2000 k	1600 k	900 k (873)	
	1200A	42.0 M (40.1)	36.00 M	32.00 M (30.11)	30.00 M (28.80)	24.00 M	15.00 M (14.40)	7.20 M	4.80 M	3600 k	2400 k	2000 k (1920)	1200 k (1047)	
×10000	1500A	56.0 M (50.2)	45.0 M	40.0 M (37.6)	36.00 M	30.00 M	18.00 M	9.00 M	6.00 M	4.50 M	3000 k	2400 k	1400 k (1309)	×100
	1600A	56.0 M (53.5)	48.0 M	42.0 M (40.1)	40.0 M (38.4)	32.00 M	20.00 M (19.20)	9.60 M	6.40 M	4.80 M	3200 k	2800 k (2560)	1400 k (1396)	
	1800A	64.0 M (60.2)	56.0 M (54.0)	48.0 M (45.2)	45.0 M (43.2)	36.00 M	24.00 M (21.60)	12.00 M (10.80)	7.20 M	5.60 M (5.40)	3600 k	2800 k (2880)	1600 k (1571)	
	2000A	72.0 M (66.9)	60.0 M	56.0 M (50.2)	48.0 M	40.0 M	24.00 M	12.00 M	8.00 M	6.00 M	4.00 M	3200 k	1800 k (1745)	
	2500A	84.0 M (83.6)	75.0 M	64.0 M (62.7)	60.0 M	50.0 M	30.00 M	15.00 M	10.00 M	7.50 M	5.00 M	4.00 M	2400 k (2182)	
	3000A	100.0 M (100.4)	90.0 M	80.0 M (75.3)	72.0 M	60.0 M	36.00 M	18.00 M	12.00 M	9.00 M	6.00 M	4.80 M	2800 k (2618)	
	4000A	140.0 M (133.8)	120.0 M	100.0 M (100.4)	96.0 M	80.0 M	48.0 M	24.00 M	16.00 M	12.00 M	8.00 M	6.40 M	3600 k (3491)	
	5000A	180.0 M (167.3)	150.0 M	140.0 M (125.5)	120.0 M	100.0 M	60.0 M	30.00 M	20.00 M	15.00 M	10.00 M	8.00 M	4.50 M (4.36)	
	6000A	200.0 M (200.7)	180.0 M	160.0 M (150.5)	150.0 M (144.0)	120.0 M	72.0 M	36.00 M	24.00 M	18.00 M	12.00 M	9.60 M	5.60 M (5.24)	
	7500A	280.0 M (250.9)	240.0 M (225.0)	200.0 M (188.2)	180.0 M	150.0 M	90.0 M	45.0 M	30.00 M	24.00 M (22.50)	15.00 M	12.00 M	6.40 M (6.55)	
×100000	8000A	280.0 M (267.6)	240.0 M	200.0 M (200.7)	200.0 M (192.0)	160.0 M	96.0 M	48.0 M	32.00 M	24.00 M	16.00 M	14.00 M (12.80)	7.20 M (6.98)	×1000
	9000A	320.0 M (301.1)	280.0 M (270.0)	240.0 M (225.8)	240.0 M (216.0)	180.0 M	120.0 M (108.0)	56.0 M (54.0)	36.00 M	28.00 M (27.00)	18.00 M	15.00 M (14.40)	8.00 M (7.85)	
	10000A	360.0 M (334.5)	300.0 M	280.0 M (250.9)	240.0 M	200.0 M	120.0 M	60.0 M	40.0 M	30.00 M	20.00 M	16.00 M	8.40 M (8.73)	
	12000A	420 M (401)	360.0 M	320.0 M (301.1)	300.0 M (288.0)	240.0 M	150.0 M (144.0)	72.0 M	48.0 M	36.00 M	24.00 M	20.00 M (19.20)	10.00 M (10.47)	
	15000A	560 M (502)	450 M	400 M (376)	360.0 M	300.0 M	180.0 M	90.0 M	60.0 M	45.0 M	30.00 M	24.00 M	14.00 M (13.09)	
	20000A	720 M (669)	600 M	560 M (502)	480 M	400 M	240.0 M	120.0 M	80.0 M	60.0 M	40.0 M	32.00 M	18.00 M (17.45)	
	30000A	900 M	750 M	640 M (593)	560 M	450 M	300.0 M	150.0 M	100.0 M	75.0 M	50.0 M	40.0 M	24.00 M (21.82)	
				800 M (753)	720 M	600 M	360.0 M	180.0 M	120.0 M	90.0 M	60.0 M	48.0 M	28.00 M (26.18)	

<Note 1>

Parenthesis is primary active power (apparent power, reactive power) value in /1kW(1kVA, 1kvar). In the blank, setting is impossible.
About active power and reactive power range.
Full scale display, less than 4000 : 4 digit. More than 4000 : 3 digit.
An example) 4800kW → 4.80MW
40kvar → 40.0kvar
20kVA → 20.00kVA

<Note 2>

In case the voltage range and the current range were set as [] of an upper table and an output pulse unit (a four-step setup is possible) is set as the fastest. The output pulse width of a pulse output is set to 100 ~130ms. (Usually 240~260ms)

Appendix table 1-3

Active power range, watt-hour multiplier rate table (3-phase 4-wire)

Multiplier rate	V range A range	600V	600V	500V	300V	150V	Multiplier rate
		(VT460/110V) [W]	(VT440/110V) [W]	(VT380/110V) [W]	(VT220/110V) [W]	(110V) [W]	
× 0.1	5A	4.20 k (4.18)	4.00 k	3600 k (3455)	2000	1000	× 0.01
	6A	5.60 k (5.02)	4.80 k	4.20 k (4.15)	2400	1200	
	7.5A	6.40 k (6.27)	6.00 k	5.60 k (5.18)	3000	1500	
	8A	7.20 k (6.69)	6.40 k	5.60 k (5.53)	3200	1600	
	10A	8.40 k (8.36)	8.00 k	7.20 k (6.91)	4.00 k	2000	
	12A	10.00 k (10.04)	9.60 k	8.40 k (8.29)	4.80 k	2400	
	15A	14.00 k (12.55)	12.00 k	10.00 k (10.36)	6.00 k	3000	
	20A	18.00 k (16.73)	16.00 k	14.00 k (13.82)	8.00 k	4.00 k	
	25A	24.00 k (20.91)	20.00 k	18.00 k (17.27)	10.00 k	5.00 k	
	30A	28.00 k (25.09)	24.00 k	20.00 k (20.73)	12.00 k	6.00 k	
	40A	36.00 k (33.45)	32.00 k	28.00 k (27.64)	16.00 k	8.00 k	
	× 0.1	50A	42.0 k (41.8)	40.0 k	36.00 k (34.55)	20.00 k	
60A		56.0 k (50.2)	48.0 k	42.0 k (41.5)	24.00 k	12.00 k	
75A		64.0 k (62.7)	60.0 k	56.0 k (51.8)	30.00 k	15.00 k	
80A		72.0 k (66.9)	64.0 k	56.0 k (55.3)	32.00 k	16.00 k	
100A		84.0 k (83.6)	80.0 k	72.0 k (69.1)	40.0 k	20.00 k	
120A		100.0 k (100.4)	96.0 k	84.0 k (82.9)	48.0 k	24.00 k	
150A		140.0 k (125.5)	120.0 k	100.0 k (103.6)	60.0 k	30.00 k	
200A		180.0 k (167.3)	160.0 k	140.0 k (138.2)	80.0 k	40.0 k	
250A		240.0 k (209.1)	200.0 k	180.0 k (172.7)	100.0 k	50.0 k	
300A		280.0 k (250.9)	240.0 k	200.0 k (207.3)	120.0 k	60.0 k	
400A		360.0 k (334.5)	320.0 k	280.0 k (276.4)	160.0 k	80.0 k	
500A		420 k (418)	400 k	360.0 k (345.5)	200.0 k	100.0 k	
× 1	600A	560 k (502)	480 k	420 k (415)	240.0 k	120.0 k	× 1
	750A	640 k (627)	600 k	560 k (518)	300.0 k	150.0 k	
	800A	720 k (669)	640 k	560 k (553)	320.0 k	160.0 k	
	900A	800 k (753)	720 k	640 k (622)	360.0 k	180.0 k	
	1000A	840 k (836)	800 k	720 k (691)	400 k	200.0 k	
	1200A	1000 k (1004)	960 k	840 k (829)	480 k	240.0 k	
	1500A	1400 k (1255)	1200 k	1000 k (1036)	600 k	300.0 k	
	1600A	1400 k (1338)	1400 k (1280)	1200 k (1105)	640 k	320.0 k	
	1800A	1600 k (1505)	1500 k (1440)	1400 k (1244)	720 k	360.0 k	
	2000A	1800 k (1673)	1600 k	1400 k (1382)	800 k	400 k	
	2500A	2400 k (2091)	2000 k	1800 k (1727)	1000 k	500 k	
	3000A	2800 k (2509)	2400 k	2000 k (2073)	1200 k	600 k	
× 10	4000A	3600 k (3345)	3200 k	2800 k (2764)	1600 k	800 k	× 10
	5000A	4.20 M (4.18)	4.00 M	3600 k (3455)	2000 k	1000 k	
	6000A	5.60 M (5.02)	4.80 M	4.20 M (4.15)	2400 k	1200 k	
	7500A	6.40 M (6.27)	6.00 M	5.60 M (5.18)	3000 k	1500 k	
	8000A	7.20 M (6.69)	6.40 M	5.60 M (5.53)	3200 k	1600 k	
	9000A	8.00 M (7.53)	7.20 M	6.40 M (6.22)	3600 k	1800 k	
	10000A	8.40 M (8.36)	8.00 M	7.20 M (6.91)	4.00 M	2000 k	
	12000A	10.00 M (10.04)	9.60 M	8.40 M (8.29)	4.80 M	2400 k	
	15000A	14.00 M (12.55)	12.00 M	10.00 M (10.36)	6.00 M	3000 k	
	20000A	18.00 M (16.73)	16.00 M	14.00 M (13.82)	8.00 M	4.00 M	
	30000A	28.00 M (25.09)	24.00 M	20.00 M (20.73)	12.00 M	6.00 M	
	× 1000						

<Note 1>

Parenthesis is primary active power (apparent power, reactive power) value in /1kW(1kVA, 1kvar). In the blank, setting is impossible.

About active power and reactive power range.

Full scale display, less than 4000 : 4 digit. More than 4000 : 3 digit.

An example) 4800kW → 4.80MW

40kvar → 40.0kvar

20kVA → 20.00kVA

<Note 2>

In case the voltage range and the current range were set as [] of an upper table and an output pulse unit (a four-step setup is possible) is set as the fastest. The output pulse width of a pulse output is set to 100 ~130ms. (Usually 240~260ms)

 DAIICHI ELECTRONICS CO., LTD.

Head Office : 11-13 Hitotsuya 1-chome, Adachi-ku, Tokyo, 121-8639 Japan.
Phone : 03-3885-2411 , Fax : 03-3858-3966

Kyoto Office : 1-19 Ichinobe-Nishikawahara, Jyoyou-shi, Kyoto, 610-0114 Japan.
Phone : 0774-55-1391 , Fax : 0774-54-1353

Revision B, DATE : June 30, 2010