

INSTRUCTION MANUAL

POWER FLOW THREE PHASE REACTIVE POWER TRANSDUCER

FWVTT2-92A-33

 **DAIICHI ELECTRONICS CO., LTD.**

Introduction

Thank you for purchase of DAIICHI ELECTRONICS product.
Please read this instruction manual carefully before use. Keep this manual for future reference.
Please contact with us in case this manual is lost or damaged.

Safety precautions

■ Environment conditions

- Please be sure to use this product in a place that meets the following conditions.
In places that do not meet this condition, malfunctions and failures, and performance and product life may be reduced.
 - Within the range of ambient temperature -10 to 55°C , humidity 5 to 90% RH.
 - Environment with low corrosive gas, dust, salt and oil smoke. (Corrosive gas : $\text{SO}_2 / \text{H}_2\text{S}$, etc.)
 - Environment that is not affected by vibration or shock.
 - Environment with less external noise.
 - Altitude 2000m or less.
- If the input to this product is an inverter output (cycle control, SCR phase angle control, PWM control, etc.), the measurement error will be large.

■ Outdoor use conditions

- These products are not a dust proof, water proof, and splash proof construction.
Please avoid the place where dust is generated, and install it in a place where it will not be exposed to rain or water droplets. (Protection class IP30)
- Please do not install in the place where sunlight hits directly.
Discoloration and degradation of a name plate, and deformation of the case by the surface temperature rise may occur.
- If the average daily temperature around this product exceeds 40°C , the service life may be shortened.

■ Mounting and wiring

Please refer to this instruction manual for mounting and the wiring.



- Please refer to connection diagram for the wiring.
- Please avoid hot line work.
- Please use an electrical wire size suitable with the rated current.
- Please check the tightening of the screw.
- Please attach the terminal cover to prevent electric shock.

■ Maintenance and inspection

- Inspection during energization is dangerous.
- This product has no parts to replace during regular inspections.
- Check that the wiring and screws are not loose.
- Please wipe off lightly with the dry soft cloth. Please do not use the organic solvent, chemicals, cleaners, etc., such as an alcohol, for cleaning.

■ Storage

Please store in a place that meets the following conditions.

- The ambient temperature within -40 to $+70^{\circ}\text{C}$ (storage temperature), humidity 5 to 90% RH.
- Daily average temperature 40°C or less.
- Places free of dust, corrosive gas, salt and oily smoke.
- Location that is not affected by vibration and shock.
- Aluminum electrolytic capacitors are used in products. Please energize the power supply within one year after purchase.

■ Countermeasures against troubles

If trouble occurs within the warranty period, DAIICHI ELECTRONICS will repairs this product.

■ Disposal

Please dispose this product as industrial waste (non-combustible).
Mercury parts and a nickel-cadmium battery are not used for this product.

■ Warranty period

The warranty period of the product is one year after the date of delivery.

■ Warranty scope

In the case that a defect is found in our product during the warranty period due to our responsibility, we will replace the defective part and repair.

However, we will not be liable if the faults or defects are under any of the following items.

- When the faults or defects are resulted from the modification or repair carried out by any other entity than our company.
- Failure caused by violating various conditions regarding use, storage, etc. specified by the supplier.
- When the faults or defects are caused by a reason not belongs to purchased or delivered products.
- Damage or malfunction due to relocation or other transportation, movement or dropping.
- In case that the faults or defects are resulted from force majeure such as fire or abnormal voltage and natural calamity or disaster.

Our company shall not be liable for compensation of damages caused by any reason which is not our responsibility, loss opportunity, loss profits incurred to the user, special damages and consequential damages whether foreseeable or not, or damages not relating to our products.

■ Replacement cycle of the product

We recommend updating the product for 10 years as a rough standard.

■ Change of instruction manual written contents

This instruction manual changes written contents without a notice by product improvement etc.

Contents

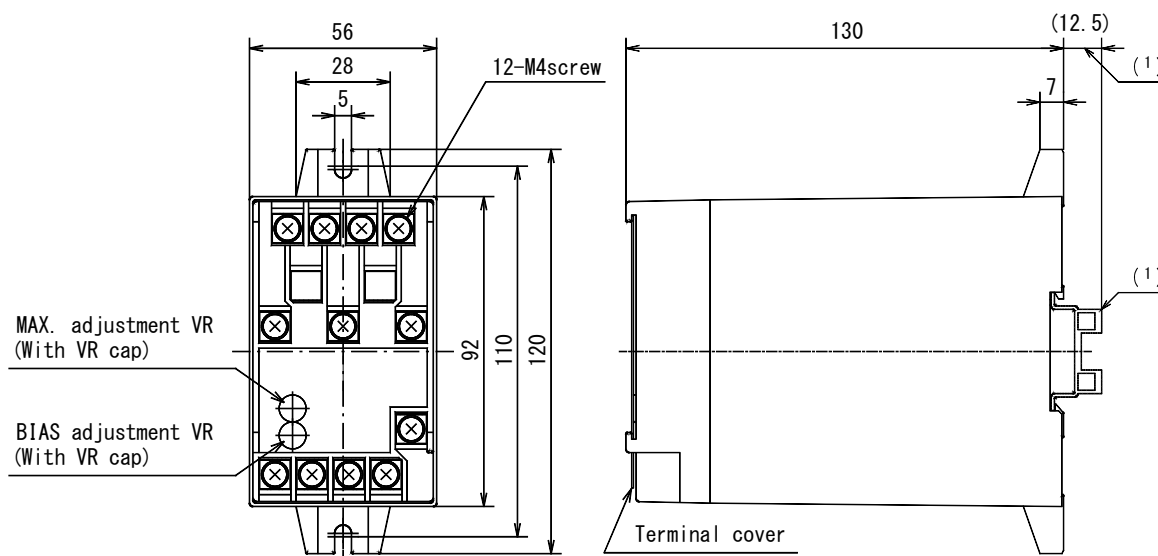
| | |
|--|----|
| Safety precautions | 1 |
| 1. Features of product | 4 |
| 2. Outline dimension | 4 |
| 3. Bundled items | 4 |
| 4. Mounting method | 4 |
| 5. Connection | 6 |
| 6. Handling explanation | 7 |
| 7. Specification | |
| 7.1 Rating | 8 |
| 7.2 Performance | 8 |
| 7.3 Electrical strength, Mechanical strength | 9 |
| 7.4 Noise immunity | 9 |
| 7.5 EMC | 10 |
| 7.6 Structure and environmental conditions | 11 |
| 7.7 Technical standards | 11 |
| 8. Input and output relationship | 12 |
| 9. Calibration | 12 |
| 10. Type composition | 13 |

1. Features of product

- The output can be selected from a 2-quadrant type and a 4-quadrant type that can distinguish between receiving and transmitting power.
- Complied to JIS C 1111 : 2019 and IEC 60688 : 2012
- Free power supply specifications compatible with 80 to 264 VAC and 80 to 264 VDC, and 24 VDC/48 VDC power supply specifications are available.
- Power consumption and mass are reduced by approximately 50% compared to our conventional products, and miniaturization has also been achieved.
- Compatible with two types of mounting methods for IEC/DIN rail mounting and wall mounting.

2. Outline dimension

Please refer to the wiring diagram for the terminal arrangement.



Note⁽¹⁾ Dimensions when IEC/DIN rail (height 15mm) is installed. (Please use a rail with a width of 35mm)
The terminal cover is standard equipment.

3. Bundled items

- ① Inspection certificate : 1 (Packed in an envelope)
- ② Terminal screw in a bag. M4 screw 5-piece set : 1
M4 screw 7-piece set : 1

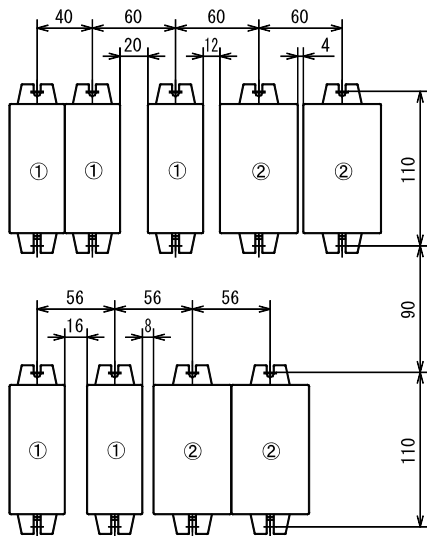
4. Mounting method

Please install indoors in a place with low mechanical vibration, dust, and corrosive gas.
And, please select indoors that are not affected by a strong electromagnetic field by large current bus, saturable reactor etc. in the vicinity. There is no restriction on mounting position.
Mounting can be done on 35mm width DIN rail mounting or screw mounting.
For screw mounting, please install with M4 screw or M5 screw. (However, the screw is not attached.
The tightening torque of a screw, M4 : 1.00 to 1.30N·m, M5 : 2.0 to 2.5N·m)
There is no particular rule for the side-by-side spacing.
Considering heat dissipation and wiring space, please leave 90mm or more space between the top and bottom.
Please leave space between terminal and metal panel for 10mm or more.

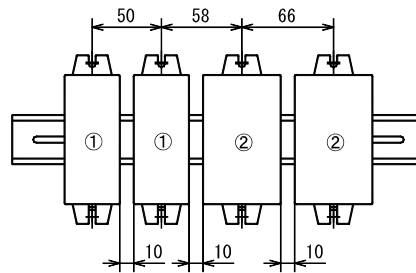
<Caution> Be sure to turn off the power and input signals before installing or removing the product to prevent danger.

Combination mounting dimension example (unit : mm)

■ Screw mounting



■ IEC/DIN rail mounting



① : 40mm width transducer.

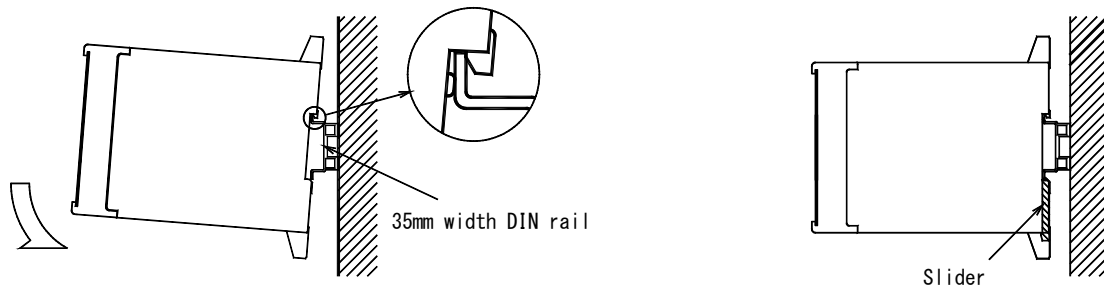
② : 56mm width transducer.

Please use rail of IEC, DIN technical standard 35mm width rail (strong type).

《Recommendation product》 Fuji Electric Co., Ltd.
TH35-15AL

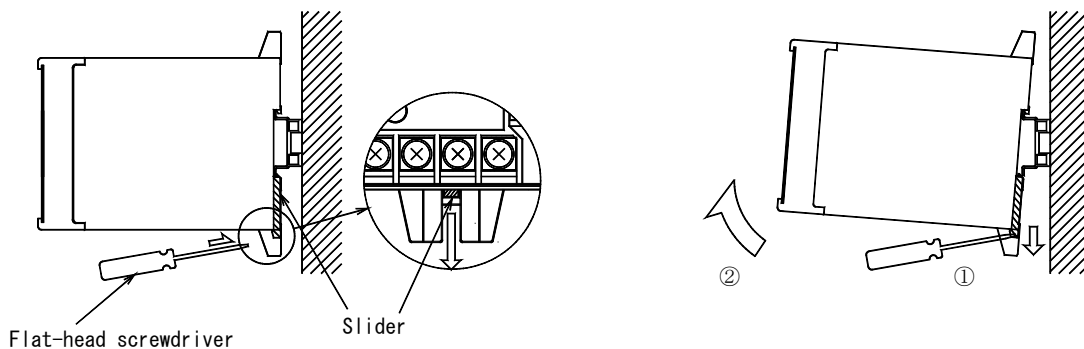
■ How to install this product in a IEC / DIN rail.

The claw of the upside of the slot for rail mounting in the bottom of this product is put in a rail. This product is fixable by pushing in the direction of an arrow below.



■ How to remove this product from the IEC / DIN rail.

Please insert a flathead screwdriver in the hole where a slider is square. Next, a slider is lowered in the direction of an arrow. This product can be removed from the rail by pulling it up in the direction of the arrow. However, the case may be damaged if this product is pulled up without lowering a slider completely.



5. Connection

Refer to the terminal name on the front name plate of the main unit, and connect according to the wiring diagram below or the wiring diagram name plate on the lower side of the main unit.

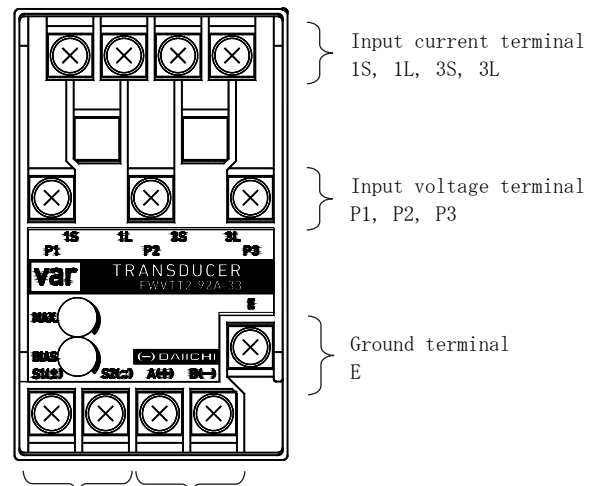
Use the included M4 screws to connect the auxiliary power supply, input voltage, input current, output, and ground terminals.

[Applicable solderless terminal]

Solderless terminal for M4 screw

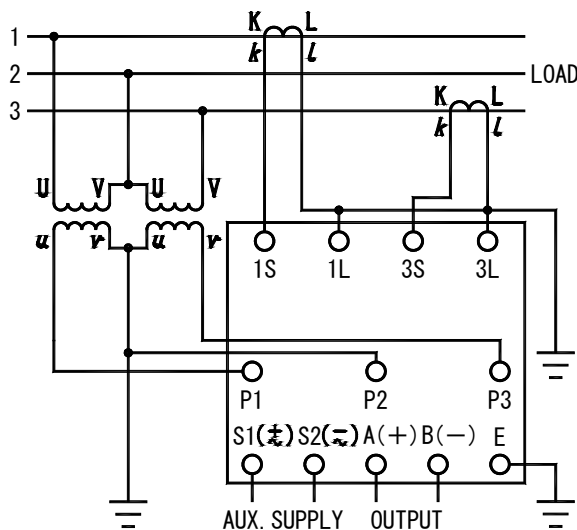
Outer diameter of terminal, 8.5mm or less

Tightening torque : 1.0 to 1.3 N·m



Auxiliary supply terminal Output terminal
S1(±), S2(±) A(+), B(-)

■ Connection diagram



- Grounding is class D grounding (grounding resistance 100Ω or less).
- If there is a power line that causes noise or a sharp voltage fluctuation, separate the output wiring as much as possible. In addition, use twisted cable or shielded twisted cable.
- This product will not be damaged even if the output terminal is left open in the current output specifications.
- After completing the wiring work, attach the terminal cover.

6. Handling explanation

Please handle it correctly after paying attention to the following points.

- (1) When applying the auxiliary power supply and input, check that the voltage and input signal of the auxiliary power supply conform to the specifications of this product.
- (2) Make sure that the external wiring is connected to the specified terminal position (listed on the nameplate).
- (3) Please use the output load within the output load range indicated on the name plate.
If the output load range is exceeded, not only will the output error, but the product will be burdened. Especially for voltage output products, do not short-circuit the output.
This product will not be damaged even if the output terminal is left open in the current output specifications. However, a voltage of about 15V is generated.
- (4) The output adjustment range is BIAS : $\pm 5\%$ of the output span, MAX. : $\pm 5\%$ of the output span.
Use only when adjustment is required for matching with connected devices.
- (5) The output value near 0 power factor switches between the power receiving side and the power transmitting side within the range of LAG 90° or LEAD $90^\circ \pm 3^\circ$ (at rated current).
(Indefinite)
- (6) The output value when only the auxiliary power supply is applied or when the auxiliary power supply and voltage input are applied is the output equivalent to the received input $0kvar$.

7. Specification

7.1 Rating

| Item | | Specification | |
|----------------------------|--------------------------------|--|--------------------------------------|
| Input | Power flow reactive power | Power transmission / Power receiving LEAD 1 to LAG 1kvar Power transmission / Power receiving LEAD 2 to LAG 2kvar | (²) Please specify |
| | Rated voltage | AC110V 50/60Hz AC220V 50/60Hz | (²) Please specify |
| | Rated current | AC 1 A 50/60Hz AC 5 A 50/60Hz | (²) Please specify |
| | Power consumption | Voltage circuit : 0.2VA (AC110V)、0.5VA (AC220V) Current circuit : 0.2VA | |
| Output (Output load range) | | DC0 to 5V (600Ω or more) DC1 to 5V (600Ω or more) DC-5 to 5V (600Ω or more) DC0 to 1mA (10kΩ or less) DC4 to 20mA (550Ω or less) DC-1 to 1mA (10kΩ or less) | (²) Please specify |
| Auxiliary supply | Power supply range | AC80 to 264V 50/60Hz DC80 to 264V DC20 to 57V | AC/DC power supply Please specify |
| | Power consumption | 2.5VA (AC100/110V) , 3.5VA (AC200/220V) 1.5W (DC100/110V, DC200/220V, DC24V, DC48V) | |
| | Inrush current (Time constant) | AC110V : 1.3A or less (2.8ms) AC220V : 2.5A or less (2.8ms) DC110V : 0.9A or less (2.8ms) DC220V : 1.8A or less (2.8ms) DC24V : 1.5A or less (5.3ms) DC48V : 3.1A or less (5.3ms) | |

Note(²) Refer to the specification code for other ratings.

7.2 Performance

| Item | Specification |
|---|---|
| Class index | 0.5 |
| Response time | 1 second or less |
| Ripple | 1%p-p or less |
| Fluctuation value of influence due to ambient temperature | Usage group I <ul style="list-style-type: none"> • Within the class index at 10 to 35°C • Within two times the class index at 0 to 45°C • Within three times the class index at -10 to 55°C |
| Fluctuation value of influence due to input amount distortion | Within two times the class index at 20% of the 3rd harmonic The error may be large in the measurement at the following inverter output. <ul style="list-style-type: none"> • Cycle control • PWM inverter • SCR phase angle control |
| Adjustment range | The output adjustment range is BIAS : ±5% of the output span, MAX. : ±5% of the output span. Use only when adjustment is required for matching with connected devices. |
| Low input cut | None |
| Output limiter | -20%, 120% (Second quadrant : % of output span on the power receiving LAG side) <ul style="list-style-type: none"> • For 4 to 20mA output, 2.4mA, 21.6mA • For ±5V output, -6V, 6V |
| | -20%, 120% (Fourth quadrant : % of output span on the power receiving LAG side) <ul style="list-style-type: none"> • For 4 to 20mA output, 3.2mA, 20.8mA • For ±5V output, -5.5V, 5.5V |
| Operation method | Time division multiplication method |

7.3 Electrical strength, Mechanical strength

| Item | Specification | | |
|---|--|--|-------------------------------|
| Insulation resistance | Between electric circuit and case (ground). | | |
| | Between auxiliary supply terminals and input, output terminals. | 50M Ω or more at DC500V | |
| | Between input terminals and output terminals. | | |
| Between electric circuit and case (ground). | | | |
| Voltage test (Power frequency withstand voltage) | Between auxiliary supply terminals and input, output terminals. | AC2210V (50/60Hz) 5 seconds or AC2000V (50/60Hz) 1 minute | |
| | Between input terminals and output terminals. | | |
| | Between electric circuit and case (ground). (Output circuits are grounded) | | |
| Impulse voltage test | Between auxiliary supply terminals and input terminals. (Other circuits are grounded) | 5kV 1.2/50 μ s (Both positive and negative polarity, for 3 times each) | |
| | Between input terminals and auxiliary supply terminals. (Other circuits are grounded) | | |
| | Between voltage input terminals. (Other circuits are grounded) | | |
| | Between auxiliary supply terminals. (Other circuits are grounded) | | |
| | Input | | |
| Continuation over-input | Input | 1.2 times continuation of rated voltage, rated current. | |
| | Aux. supply | 1.2 times continuation of rated voltage (AC power supply, DC200/220V, DC24V) | |
| | | 1.3 times continuation of rated voltage (DC100/110V) | |
| | | DC57V continuous (DC48V) | |
| Short time over-input | Input | 2 times 10 seconds of rated voltage. | once |
| | | 2 times 1 second of rated voltage. | 10 times, 10 second intervals |
| | | 40 times 1 second and 20 times 4 seconds and 10 times 16 seconds of rated current. | 2 times, 1 minute intervals |
| | | 10 times 1 second of rated current. | 5 times, 5 minute intervals |
| | | 1.5 times 30 minutes of rated current. | once |
| | Aux. supply | 1.5 times 10 seconds of rated voltage. | once |
| Vibration | JIS C 60068-2-6 Sweep frequency range : 10 to 55 to 10Hz, Displacement amplitude (one-sided amplitude) : 0.15mm, Number of sweep cycles : 10 times | | |
| Shock | JIS C 60068-2-27 Peak acceleration : 500m/s ² (when screw is installed), 300m/s ² (when IEC/DIN rail is installed) | | |

7.4 Noise immunity

| Item | Specification | |
|--|---|--|
| Damped oscillatory wave immunity test JEA B-402 | Error within $\pm 10\%$ when peak voltage 2.5kV, frequency 1MHz $\pm 10\%$, applied 3 times for 30 seconds. <ul style="list-style-type: none"> • Auxiliary supply circuit (Normal / Common) • Voltage input circuit (Normal / Common) • Current input circuit (Common) | |
| Square impulse immunity test JEA B-402 | Error within $\pm 10\%$ when noise (1 μ s, 100ns width) is repeatedly applied for 5 minutes. <ul style="list-style-type: none"> • Auxiliary supply circuit (Normal / Common) Over 1.5kV • Voltage input circuit (Normal / Common) Over 1.5kV • Current input circuit (Common) Over 1.5kV • Output circuit (Induction) Over 1.0kV | |
| Radio wave immunity test | Error within $\pm 10\%$ when radio waves (5W) in the 150MHz and 400MHz bands are intermittently irradiated at 1m, and radio waves from mobile phones and wireless LAN (2.4GHz, 5GHz) at 0.5m. | |
| Electrostatic discharge immunity JEA B-402 | Conducted under normal usage conditions. Air discharge : 15kV, Contact discharge : 8kV, Error within $\pm 10\%$. | |

7.5 EMC

| Item | Specification | | | | |
|---|---|--|---|--|----------------------------|
| Electrostatic discharge immunity test | Contact discharge ±4kV (Charge voltage) Air discharge ±8kV (Charge voltage) | Performance standard : B | After test : Within inherent error | EN61000-6-2 EN61000-4-2 | |
| Radiated, radio-frequency, electromagnetic field immunity test | Frequency : ① 80 to 1000MHz ② 1.4 to 2.0GHz ③ 2.0 to 2.7GHz Field strength : ① 10V/m ② 3V/m ③ 1V/m Amplitude modulation : 80%AM (1kHz) | Performance standard : A | During testing : Within ±20% error After test : Within inherent error | EN61000-6-2 EN61000-4-3 | |
| Electrical fast transient / burst immunity test | Power port (DC) | ±2.0kV | Performance standard : B | After test : Within inherent error | EN61000-6-2 EN61000-4-4 |
| | Power port (AC) | ±2.0kV | | | |
| | Signal port | ±1.0kV | | | |
| Surge immunity test | Power port (DC) | Line to ground ±0.5kV Line to line ±0.5kV | Performance standard : B | After test : Within inherent error | EN61000-6-2 EN61000-4-5 |
| | Power port (AC) | Line to ground ±2.0kV Line to line ±1.0kV | | | |
| | Signal port | Line to ground ±1.0kV | | | |
| Immunity to conducted disturbances, induced by radio frequency fields | Frequency : 0.15 to 80MHz Voltage level : 10V, 80%AM (1kHz) | Performance standard : A | During testing : Within ±20% error After test : Within inherent error | EN61000-6-2 EN61000-4-6 | |
| Power frequency magnetic field immunity test | Frequency : 50/60Hz Field strength : 30A/m | Performance standard : A | During testing : Within ±20% error After test : Within inherent error | EN61000-6-2 EN61000-4-8 | |
| Voltage dips, short interruptions and voltage variations immunity tests (AC power supply port) | Residual voltage : 0%, 1 cycle | Performance standard : B | After test : Within inherent error | EN61000-6-2 EN61000-4-11 | |
| | Residual voltage : 40%, 10/12 cycle | Performance standard : C | After test : Within inherent error | | |
| | Residual voltage : 70%, 25/30 cycle | | | | |
| | Residual voltage : 0%, 250/300 cycle | | | | |
| Electromagnetic radiation disturbance | Frequency band 30 to 230MHz, 10m distance : 40dB (μV/m) or less Frequency band 230 to 1000MHz, 10m distance : 47dB (μV/m) or less | | | | |
| Terminal interference voltage | Power port (AC) : Frequency band 0.15 to 0.5MHz, Quasi-peak : 79dB or less, Average : 66dB or less Frequency band 0.5 to 30MHz, Quasi-peak : 73dB or less, Average : 60dB or less | | | EN61000-6-4 EN55011 classA, Group1 | |
| Performance standard A : During and after the test the equipment shall be able to continue operation as specified. | | | | | |
| Performance standard B : The equipment shall be able to continue operation as specified after the test. However, performance degradation during testing is allowed. | | | | | |
| Performance standard C : Temporary loss of function is allowed, but the function can be self-healing or can be recovered by operation of the control device. | | | | | |

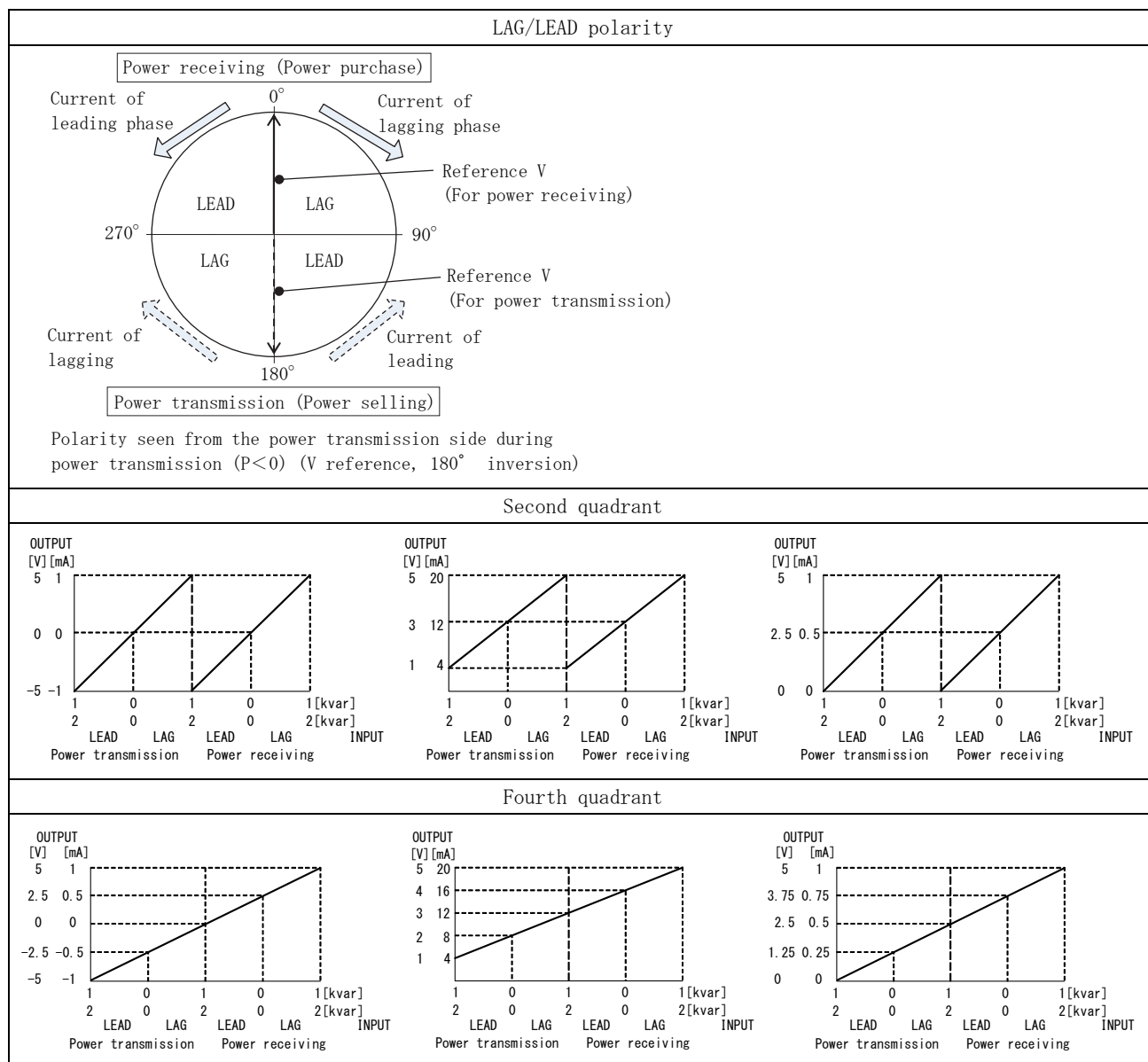
7.6 Structure and environmental conditions

| Item | Specification |
|---|---|
| Material | BOX : ABS(V-0), Terminal board : ABS(V-0), Terminal cover : Polycarbonate |
| Color | Munsell N1.5 (Black) |
| External dimensions | 56×120×130mm (W×H×D) |
| Mass | Approx. 400g |
| Protection rating | IP30 |
| Operating temperature and humidity limits | -10 to 55°C , 5 to 90% RH (Non condensing) |
| Storage temperature limits | -40 to 70°C |
| Product warranty period | One year period |

7.7 Technical standards

| Item | Specification |
|------------|--|
| Transducer | JIS C 1111 : 2019 IEC 60688 : 2012 |
| CE marking | EMC Directive 2014/30/EU EN 61000-6-2, EN 61000-4-2, -3, -4, -5, -6, -8, -11 EN 61000-6-4, EN 55011 classA, Group1 Low Voltage Directive 2014/35/EU EN 61010-1 RoHS Directive 2011/65/EU+(EU)2015/863 EN IEC 63000 |
| Safety | IEC 61010-1 Measurement Category III, Maximum use voltage : 300V, Pollution degree 2 |

8. Input and output relationship



9. Calibration

Because this product is adjusted, there is not need of calibration especially.

However, if discrepancy arises in an output in long-term use, please adjust in the next way.

Remove the terminal cover and VR cap before adjustment, and attach the VR cap and terminal cover after adjustment.

- (1) For the output load, connect an actual load (within the output load range indicated on the name plate) or a simulated load with the same resistance value as the actual load.
- (2) Apply the auxiliary power supply (rated) and the input equivalent to 50% of the rated output value, and energize for 15 minutes.
- (3) Enter the lower limit of the rated output range and adjust with BIAS adjustment VR so that the output becomes the lower limit.
Next, enter the upper limit of the rated output range and adjust the MAX adjustment VR so that the output reaches the upper limit.
(The screwdriver for adjustment : Tip width of 1.8 to 2.3mm, Phillips-head screwdriver or flat-blade screwdriver)

10. Type composition

Power Flow Three Phase Reactive Power Transducer

Type Specification code
FWVTT2-92A-33-①②③④⑤⑥⑦

1) Rated current 1A, Second quadrant

| ① Model | | ② Orthant (3) | | ③ Input (3) | | | ④ Rated voltage | |
|---------|---------|---------------|-----------------|-------------|---|---|-----------------|--|
| B | Model B | 1 | Second quadrant | 1 | Power transmission LEAD 100 to 0 to LAG 100var Power receiving LEAD 100 to 0 to LAG 100var | 1 | AC100V | |
| | | | | 2 | Power transmission LEAD 150 to 0 to LAG 150var Power receiving LEAD 150 to 0 to LAG 150var | 2 | AC105V | |
| | | | | 3 | Power transmission LEAD 166.7 to 0 to LAG 166.7var Power receiving LEAD 166.7 to 0 to LAG 166.7var | 3 | AC110V | |
| | | | | 4 | Power transmission LEAD 200 to 0 to LAG 200var Power receiving LEAD 200 to 0 to LAG 200var | 4 | AC115V | |
| | | | | 4 | Power transmission LEAD 200 to 0 to LAG 200var Power receiving LEAD 200 to 0 to LAG 200var | 5 | AC200V | |
| | | | | 5 | Power transmission LEAD 300 to 0 to LAG 300var Power receiving LEAD 300 to 0 to LAG 300var | 6 | AC210V | |
| | | | | 6 | Power transmission LEAD 333.3 to 0 to LAG 333.3var Power receiving LEAD 333.3 to 0 to LAG 333.3var | 7 | AC220V | |
| | | | | 7 | Power transmission LEAD 400 to 0 to LAG 400var Power receiving LEAD 400 to 0 to LAG 400var | | | |
| | | | | Z | Other | Z | Other | |

| ⑤ Rated current | | ⑥ Output (Output load range) (3) | | | ⑦ Auxiliary supply | |
|-----------------|-------|----------------------------------|---|---|--------------------|--|
| 1 | AC1A | 2 | Power transmission DC0 to 0.5 to 1V Power receiving DC0 to 0.5 to 1V | (200Ω or more) | F | AC80 to 264V DC80 to 264V AC/DC power supply |
| Z | Other | | 3 | Power transmission DC0 to 2.5 to 5V Power receiving DC0 to 2.5 to 5V | | (600Ω or more) |
| | | 4 | Power transmission DC0 to 5 to 10V Power receiving DC0 to 5 to 10V | (2kΩ or more) | Z | Other |
| | | 5 | Power transmission DC1 to 3 to 5V Power receiving DC1 to 3 to 5V | (600Ω or more) | | |
| | | 6 | Power transmission DC-5 to 0 to 5V Power receiving DC-5 to 0 to 5V | (600Ω or more) | | |
| | | 7 | Power transmission DC-10 to 0 to 10V Power receiving DC-10 to 0 to 10V | (2kΩ or more) | | |
| | | A | Power transmission DC0 to 0.5 to 1mA Power receiving DC0 to 0.5 to 1mA | (10kΩ or less) | | |
| | | B | Power transmission DC0 to 2.5 to 5mA Power receiving DC0 to 2.5 to 5mA | (2kΩ or less) | | |
| | | C | Power transmission DC0 to 5 to 10mA Power receiving DC0 to 5 to 10mA | (1kΩ or less) | | |
| | | F | Power transmission DC4 to 12 to 20mA Power receiving DC4 to 12 to 20mA | (550Ω or less) | | |
| | | G | Power transmission DC-1 to 0 to 1mA Power receiving DC-1 to 0 to 1mA | (10kΩ or less) | | |
| | | Z | Other | | | |

Note(3) The notation of the product body is Second quadrant : 2QUADRANT, Power transmission : REVERSE, Power receiving : NORMAL.

2) Rated current 5A, Second quadrant

| ① Model | | ② Orthant (4) | | ③ Input (4) | | | ④ Rated voltage | |
|--|---|---------------|-----------------|-------------|---|---|-----------------|--------|
| B | Model B | 1 | Second quadrant | 1 | Power transmission LEAD 500 to 0 to LAG 500var | 1 | AC100V | |
| | | | | | Power receiving LEAD 500 to 0 to LAG 500var | | 2 | AC105V |
| | | | | 2 | Power transmission LEAD 750 to 0 to LAG 750var | 3 | AC110V | |
| | | | | | Power receiving LEAD 750 to 0 to LAG 750var | | 4 | AC115V |
| | | | | 3 | Power transmission LEAD 833.3 to 0 to LAG 833.3var | 7 | AC220V | |
| | | | | | Power receiving LEAD 833.3 to 0 to LAG 833.3var | | | |
| | | | | 4 | Power transmission LEAD 1 to 0 to LAG 1kvar | 5 | AC200V | |
| | | | | | Power receiving LEAD 1 to 0 to LAG 1kvar | | | |
| | | | | 4 | Power transmission LEAD 1 to 0 to LAG 1kvar | 6 | AC210V | |
| | | | | | Power receiving LEAD 1 to 0 to LAG 1kvar | | | |
| | | | | 5 | Power transmission LEAD 1.5 to 0 to LAG 1.5kvar | 7 | AC220V | |
| | | | | | Power receiving LEAD 1.5 to 0 to LAG 1.5kvar | | | |
| | | | | 6 | Power transmission LEAD 1.667 to 0 to LAG 1.667kvar | 7 | AC220V | |
| Power receiving LEAD 1.667 to 0 to LAG 1.667kvar | | | | | | | | |
| 7 | Power transmission LEAD 2 to 0 to LAG 2kvar | 7 | AC220V | | | | | |
| | Power receiving LEAD 2 to 0 to LAG 2kvar | | | | | | | |
| Z | Other | Z | Other | | | | | |

| ⑤ Rated current | | ⑥ Output (Output load range) (4) | | | ⑦ Auxiliary supply | |
|-----------------|-------|----------------------------------|--------------------------------------|----------------|--------------------|--------------------|
| 2 | AC5A | 2 | Power transmission DC0 to 0.5 to 1V | (200Ω or more) | F | AC80 to 264V |
| Z | Other | | Power receiving DC0 to 0.5 to 1V | | | DC80 to 264V |
| | | 3 | Power transmission DC0 to 2.5 to 5V | (600Ω or more) | 3 | AC/DC power supply |
| | | | Power receiving DC0 to 2.5 to 5V | | | DC20 to 57V |
| | | 4 | Power transmission DC0 to 5 to 10V | (2kΩ or more) | Z | Other |
| | | | Power receiving DC0 to 5 to 10V | | | |
| | | 5 | Power transmission DC1 to 3 to 5V | (600Ω or more) | | |
| | | 6 | Power transmission DC-5 to 0 to 5V | (600Ω or more) | | |
| | | 7 | Power transmission DC-10 to 0 to 10V | (2kΩ or more) | | |
| | | A | Power transmission DC0 to 0.5 to 1mA | (10kΩ or less) | | |
| | | B | Power transmission DC0 to 2.5 to 5mA | (2kΩ or less) | | |
| | | C | Power transmission DC0 to 5 to 10mA | (1kΩ or less) | | |
| | | F | Power transmission DC4 to 12 to 20mA | (550Ω or less) | | |
| | | G | Power transmission DC-1 to 0 to 1mA | (10kΩ or less) | | |
| | | Z | Other | | | |

Note(4) The notation of the product body is Second quadrant : 2QUADRANT, Power transmission : REVERSE, Power receiving : NORMAL.

3) Rated current 1A, Fourth quadrant

| ① Model | | ② Orphant (⁵) | | ③ Input (⁵) | | ④ Rated voltage | |
|---------|---------|---------------|-----------------|-------------|---|-----------------|--------|
| B | Model B | 2 | Fourth quadrant | 1 | Power transmission LEAD 100 to 0 to LAG 100var Power receiving LEAD 100 to 0 to LAG 100var | 1 | AC100V |
| | | | | 2 | Power transmission LEAD 150 to 0 to LAG 150var Power receiving LEAD 150 to 0 to LAG 150var | 2 | AC105V |
| | | | | 3 | Power transmission LEAD 166.7 to 0 to LAG 166.7var Power receiving LEAD 166.7 to 0 to LAG 166.7var | 3 | AC110V |
| | | | | 4 | Power transmission LEAD 200 to 0 to LAG 200var Power receiving LEAD 200 to 0 to LAG 200var | 4 | AC115V |
| | | | | 4 | Power transmission LEAD 200 to 0 to LAG 200var Power receiving LEAD 200 to 0 to LAG 200var | 5 | AC200V |
| | | | | 5 | Power transmission LEAD 300 to 0 to LAG 300var Power receiving LEAD 300 to 0 to LAG 300var | 6 | AC210V |
| | | | | 6 | Power transmission LEAD 333.3 to 0 to LAG 333.3var Power receiving LEAD 333.3 to 0 to LAG 333.3var | 7 | AC220V |
| | | | | 7 | Power transmission LEAD 400 to 0 to LAG 400var Power receiving LEAD 400 to 0 to LAG 400var | | |
| | | | | Z | Other | Z | Other |

| ⑤ Rated current | | ⑥ Output (Output load range) (⁵) | | ⑦ Auxiliary supply | |
|-----------------|-------|----------------------------------|---|--------------------|--|
| 1 | AC1A | 2 | Power transmission DC0 to 0.25 to 0.5V Power receiving DC0.5 to 0.75 to 1V (200Ω or more) | F | AC80 to 264V DC80 to 264V AC/DC power supply |
| Z | Other | | | | |
| | | 3 | Power transmission DC0 to 1.25 to 2.5V Power receiving DC2.5 to 3.75 to 5V (600Ω or more) | 3 | DC20 to 57V |
| | | 4 | Power transmission DC0 to 2.5 to 5V Power receiving DC5 to 7.5 to 10V (2kΩ or more) | Z | Other |
| | | 5 | Power transmission DC1 to 2 to 3V Power receiving DC3 to 4 to 5V (600Ω or more) | | |
| | | 6 | Power transmission DC-5 to -2.5 to 0V Power receiving DC0 to 2.5 to 5V (600Ω or more) | | |
| | | 7 | Power transmission DC-10 to -5 to 0V Power receiving DC0 to 5 to 10V (2kΩ or more) | | |
| | | A | Power transmission DC0 to 0.25 to 0.5mA Power receiving DC0.5 to 0.75 to 1mA (10kΩ or less) | | |
| | | B | Power transmission DC0 to 1.25 to 2.5mA Power receiving DC2.5 to 3.75 to 5mA (2kΩ or less) | | |
| | | C | Power transmission DC0 to 2.5 to 5mA Power receiving DC5 to 7.5 to 10mA (1kΩ or less) | | |
| | | F | Power transmission DC4 to 8 to 12mA Power receiving DC12 to 16 to 20mA (550Ω or less) | | |
| | | G | Power transmission DC-1 to -0.5 to 0mA Power receiving DC0 to 0.5 to 1mA (10kΩ or less) | | |
| | | Z | Other | | |

Note⁽⁵⁾ The notation of the product body is Fourth quadrant : 4QUADRANT, Power transmission : REVERSE,
Power receiving : NORMAL.

4) Rated current 5A, Fourth quadrant

| ① Model | | ② Orphant (⑥) | | ③ Input (⑥) | | ④ Rated voltage | |
|---------|---------|---------------|-----------------|-------------|---|-----------------|--------|
| B | Model B | 2 | Fourth quadrant | 1 | Power transmission LEAD 500 to 0 to LAG 500var Power receiving LEAD 500 to 0 to LAG 500var | 1 | AC100V |
| | | | | 2 | Power transmission LEAD 750 to 0 to LAG 750var Power receiving LEAD 750 to 0 to LAG 750var | 2 | AC105V |
| | | | | 3 | Power transmission LEAD 833.3 to 0 to LAG 833.3var Power receiving LEAD 833.3 to 0 to LAG 833.3var | 3 | AC110V |
| | | | | 4 | Power transmission LEAD 1 to 0 to LAG 1kvar Power receiving LEAD 1 to 0 to LAG 1kvar | 4 | AC115V |
| | | | | 4 | Power transmission LEAD 1 to 0 to LAG 1kvar Power receiving LEAD 1 to 0 to LAG 1kvar | 5 | AC200V |
| | | | | 5 | Power transmission LEAD 1.5 to 0 to LAG 1.5kvar Power receiving LEAD 1.5 to 0 to LAG 1.5kvar | 6 | AC210V |
| | | | | 6 | Power transmission LEAD 1.667 to 0 to LAG 1.667kvar Power receiving LEAD 1.667 to 0 to LAG 1.667kvar | 7 | AC220V |
| | | | | 7 | Power transmission LEAD 2 to 0 to LAG 2kvar Power receiving LEAD 2 to 0 to LAG 2kvar | | |
| | | | | Z | Other | Z | Other |

| ⑤ Rated current | | ⑥ Output (Output load range) (⑥) | | ⑦ Auxiliary supply | |
|-----------------|-------|---|---|--------------------|--------------------|
| 2 | AC5A | 2 | Power transmission DC0 to 0.25 to 0.5V Power receiving DC0.5 to 0.75 to 1V | F | AC80 to 264V |
| Z | Other | | (200Ω or more) | | DC80 to 264V |
| | | | Power transmission DC0 to 1.25 to 2.5V Power receiving DC2.5 to 3.75 to 5V | | AC/DC power supply |
| | | | (600Ω or more) | | 3 DC20 to 57V |
| | | | Power transmission DC0 to 2.5 to 5V Power receiving DC5 to 7.5 to 10V | | Z Other |
| | | | (2kΩ or more) | | |
| | | | Power transmission DC1 to 2 to 3V Power receiving DC3 to 4 to 5V | | |
| | | | (600Ω or more) | | |
| | | | Power transmission DC-5 to -2.5 to 0V Power receiving DC0 to 2.5 to 5V | | |
| | | | (600Ω or more) | | |
| | | | Power transmission DC-10 to -5 to 0V Power receiving DC0 to 5 to 10V | | |
| | | (2kΩ or more) | | | |
| | | Power transmission DC0 to 0.25 to 0.5mA Power receiving DC0.5 to 0.75 to 1mA | | | |
| | | (10kΩ or less) | | | |
| | | Power transmission DC0 to 1.25 to 2.5mA Power receiving DC2.5 to 3.75 to 5mA | | | |
| | | (2kΩ or less) | | | |
| | | Power transmission DC0 to 2.5 to 5mA Power receiving DC5 to 7.5 to 10mA | | | |
| | | (1kΩ or less) | | | |
| | | Power transmission DC4 to 8 to 12mA Power receiving DC12 to 16 to 20mA | | | |
| | | (550Ω or less) | | | |
| | | Power transmission DC-1 to -0.5 to 0mA Power receiving DC0 to 0.5 to 1mA | | | |
| | | (10kΩ or less) | | | |
| | | Z Other | | | |

Note⁽⁶⁾ The notation of the product body is Fourth quadrant : 4QUADRANT, Power transmission : REVERSE,
Power receiving : NORMAL.

⊖ DAIICHI ELECTRONICS CO., LTD.

Tokyo Office : 11-13, Hitotsuya 1-chome, Adachi-ku, Tokyo, 121-8639, JAPAN.
TEL : +81-3-3885-2411 , FAX : +81-3-3858-3966

Kyoto Office : 1-19, Ichinobe-Nishikawahara, Jyoyou-shi, Kyoto, 610-0114, JAPAN.
TEL : +81-774-55-1391 , FAX : +81-774-54-1353

Revision B, DATE : November 2, 2022